

EuroSeries® -(ESR) Roof Mounting Axial Fans



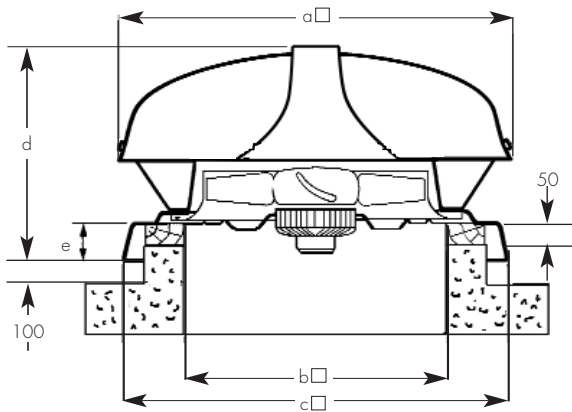
Features and Benefits

- 1 Cowl & base moulded from recyclable polymeric material.
- 1 All sizes resistant to UV light.
- 1 Colour: light grey BS00A05.
- 1 Sizes 315 to 1000 dia are protected to IP54.
- 1 Optional backdraught shutters and bird guard (250-630mm)
- 1 All models speed controllable
- 1 Motor Insulation Class F, -40°C to +70°C operating temperature.
- 1 Reversible for supply or extract units.
- 1 Thermal overload for motor protection
- 1 Performance tested to BS848 part 1 1980.

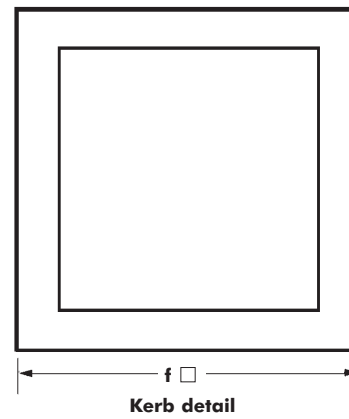
Performance Guide

Dia	Phase	Stock Ref	RPM	IP Rating	m ³ /s										Motor S.C. F.L.C. dBA					
					0	25	50	70	100	125	150	200	225	250	300	kW	Amps	Amps @ 3m		
2 POLE																				
250	1	ESR25012	2440	IP44	0.28	0.24	0.22	0.19	0.136	0.09							0.14	1.15	0.6	59
250	3	ESR25032	2700	IP44	0.41	0.39	0.37	0.35	0.32	0.27							0.35	2.5	0.63	61
315	1	ESR31512	2690	IP54	0.84	0.8	0.78	0.74	0.7	0.66	0.62	0.5					0.48	6	2.1	64
315	3	ESR31532	2800	IP54	0.88	0.85	0.83	0.8	0.77	0.74	0.71	0.63	0.51				0.48	5	0.9	60
355	1	ESR35512	2800	IP54	1.22	1.19	1.15	1.12	1.08	1.03	1	0.87	0.82	0.75			1.05	19	4.45	71
355	3	ESR35532	2700	IP54	1.24	1.19	1.15	1.12	1.09	1.04	1	0.89	0.82	0.71			1.05	8	2.2	73
4 POLE																				
250	1	ESR25014	1340	IP44	0.3												0.04	0.3	0.16	44
315	1	ESR31514	1300	IP54	0.38	0.32	0.24	0.16									0.15	1.38	0.7	50
315	3	ESR31534	1390	IP54	0.4	0.34	0.26	0.17									0.11	2.1	0.27	46
355	1	ESR35514	1330	IP54	0.78	0.69	0.58	0.45									0.19	1.45	0.84	53
355	3	ESR35534	1370	IP54	0.82	0.74	0.65	0.53									0.17	1.35	0.37	49
400	1	ESR40014	1350	IP54	1.14	1.02	0.89	0.7									0.29	2.4	1.45	56
400	3	ESR40034	1350	IP54	1.21	1.11	1.01	0.81									0.26	2.1	0.56	51
450	1	ESR45014	1370	IP54	1.45	1.33	1.19	1.07	0.85								0.36	3.6	1.6	61
450	3	ESR45034	1380	IP54	1.54	1.43	1.32	1.17	0.98								0.36	2.6	0.8	56
500	1	ESR50014	1290	IP54	1.43	1.31	1.15	0.98	0.75								0.51	4.3	2.3	55
500	3	ESR50034	1380	IP54	1.61	1.49	1.38	1.23	1.09	0.87							0.55	3.7	1.05	58
560	1	ESR56014	1320	IP54	2.76	2.58	2.41	2.25	2	1.72	1.39						1.4	9.3	6	63
560	3	ESR56034	1220	IP54	3.05	2.91	2.77	2.65	2.44	2.28	2.04						1	7	1.8	70
630	1	ESR63014	1320	IP54	4.38	4.21	4.06	3.91	3.7	3.55	3.31	2.76	2.43	2.01			2.2	28	9.9	70
630	3	ESR63034	1360	IP54	4.49	4.3	4.15	4	3.76	3.52	3.31	2.7					1.9	14	3.2	64
710	3	ESR71034	1290	IP54	6.1	5.96	5.78	5.63	5.45	5.23	5.02	4.51	4.11	3.71			2.9	19	5.3	72
800	3	ESR80034	1270	IP54	8.89	8.6	8.31	8.07	7.68	7.29	6.96	6.23	5.7	5.22	4.01		4.7	29	8.3	78
6 POLE																				
355	1	ESR35516	950	IP54	0.51	0.35											0.09	1.2	0.46	44
355	3	ESR35536	910	IP54	0.44	0.17											0.09	0.5	0.25	45
400	1	ESR40016	940	IP54	0.72	0.55											0.13	1.4	0.6	45
400	3	ESR40036	920	IP54	0.7	0.53											0.11	0.9	0.28	50
450	1	ESR45016	915	IP54	0.89	0.73											0.17	2.7	0.77	50
450	3	ESR45036	890	IP54	0.89	0.74	0.48										0.12	1	0.28	51
500	1	ESR50016	910	IP54	0.79	0.6	0.29										0.25	4.74	1.35	54
500	3	ESR50036	900	IP54	0.85	0.69	0.49										0.23	1.5	0.56	56
560	1	ESR56016	880	IP54	1.8	1.58	1.3	0.99									0.43	4.6	1.95	56
560	3	ESR56036	860	IP54	1.72	1.48	1.16	0.75									0.39	1.75	0.81	56
630	1	ESR63016	880	IP54	2.63	2.35	2.05	1.76									0.6	5.3	2.7	57
630	3	ESR63036	890	IP54	2.66	2.39	2.07	1.78									0.59	3.6	1.3	59
710	1	ESR71016	850	IP54	3.85	3.53	3.19	2.83									0.89	8	4.1	60
710	3	ESR71036	860	IP54	4	3.7	3.4	3.1	2.58								1.1	7.7	2.2	62
800	3	ESR80036	900	IP54	4.81	4.44	4.08	3.72	3.18	2.45							1.4	9.8	2.7	64
1000	3	ESR100036	935	IP54	10.88	10.34	10.04	9.73	9.34	8.92	8.45	7.87	7.26	6.72			5.5	67	10.5	77
8 POLE																				
630	1	ESR63018	650	IP54	1.08	0.58											0.32	6.4	1.45	58
630	3	ESR63038	630	IP54	1.08	0.58											0.31	1.5	0.65	55
710	1	ESR71018	640	IP54	2.69	2.27	1.66										0.52	8.5	2.3	58
710	3	ESR71038	630	IP54	2.69	2.27	1.66										0.43	3.3	1.1	55
800	3	ESR80038	670	IP54	3.32	2.85	2.34										0.69	5	1.75	58
1000	3	ESR100038	670	IP54	6.78	6.34	5.91	5.42	4.66	3.63							2.2	13	4.2	65

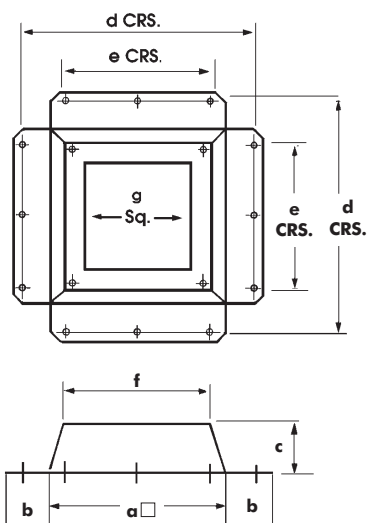
Fan Dimensions (mm)



size	a	b	c	d	e	f	kg Max
250	700	475	737	411	97	675	13.25
315	700	475	737	411	97	675	16.3
355	700	475	737	411	97	675	16.3
400	800	575	830	466	97	775	18.4
450	800	575	830	466	97	775	20.3
500	950	715	1000	579	100	915	35.5
560	950	715	1000	579	100	915	35.5
630	1230	840	1100	731	105	1040	62
710	1230	840	1100	731	105	1040	62
800	1420	870	1190	731	105	1070	78
1000	1680	1070	1455	795	131	1270	134



Purlin Box



size	a	b	c	d	e	f	g
250/315/355	625	90	240	765	400	590	460
400/450	725	90	240	865	500	705	565
500	890	70	250	990	650	850	640
560	890	70	250	990	650	870	700
630	1030	75	250	1140	760	985	775
710	1030	75	250	1140	760	985	840
800	980	37	267	1016	406	980	880
1000	1180	76	279	1294	508	1180	1080