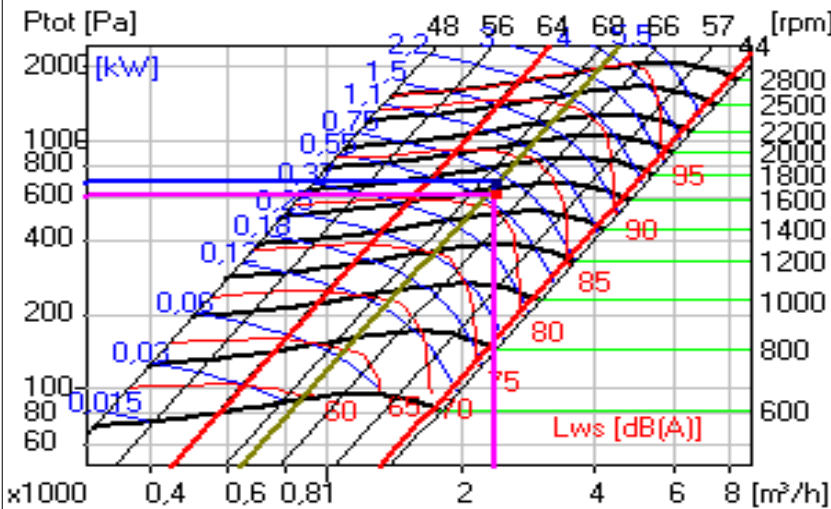


AT 9-7 S
 Single Unit - Ducted Outlet

Working Point Data



Total EFFICIENCY	66,8	%
Static Efficiency	59,8	%
Static Pressure	610	Pa
Velocity Pressure	72	Pa
Total Pressure	682	Pa
Fan Power	0,681	kW
Motor Power	0,851	kW
Volume Flow	2400	m³/h
Air Velocity	11	m/s
Fan Speed	1646	rpm
Temperature	20,5	°C
Altitude	0,	m
Density	1,2	kg/m³
Motor Efficiency	85	%
Specific Fan Power	1,201	kW/(m³/s)

AMCA Licensed for Air Performance.
 Performance shown is for installation type B, free inlet - ducted outlet.
 Performance Ratings do not include the effect of appurtenances in the airstream.
 Fan Power rating (kW or BHP) doesn't include drive losses.
 The AMCA Certified Ratings Seal applies to Air Performance only.

Operational Limits

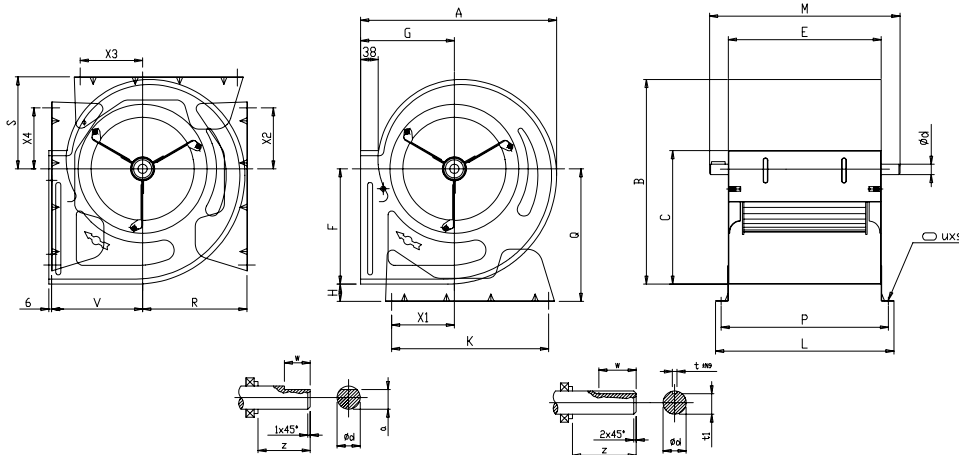
Max. Power	3	kW
Max. Fan Speed	2500	rpm
Min. Temperature	-20	°C
Max. Temperature	85	°C

Copyright Nicotra Spa - Italy -
 Dimensions and performances can be modified without prior notice
 Version 3.1.2 - April 16, 2005 - printed 18/09/2007 at 13.29.35

Hz	Sound Power Level [dB]								Lw-tot		LwA-tot	
	63	125	250	500	1000	2000	4000	8000				
Inlet side External - Lwi	85,9	74,3	82,8	73,7	76,4	76,5	73,3	67,9	88,7	dB	82,4	dBA
Outlet side in-duct - Lwo	94,9	80,3	86,4	76,1	77,9	77,2	74,8	69,5	95,8	dB	84,3	dBA
Outlet side Ext. - Lwom	79,8	70,5	81,2	74	77,2	77	74,8	69,4	86,1	dB	82,8	dBA

Notes

Motor power 1,1 kW



AT7/7-9/7-9/9-10/8-10/10

AT12/9-12/12-15/11-15/15-18/13-18/18

A	380	S	177
B	387	V	179
C	262	K	300
E	232	X1	119
F	215	X2	124
G	185	X3	123
H	38	X4	120
L	282	t	0
M	340	t1	19
P	258	w	30
Q	253	z	40
R	199	Ød	20
UxS			11x16

All dimensions in [mm]