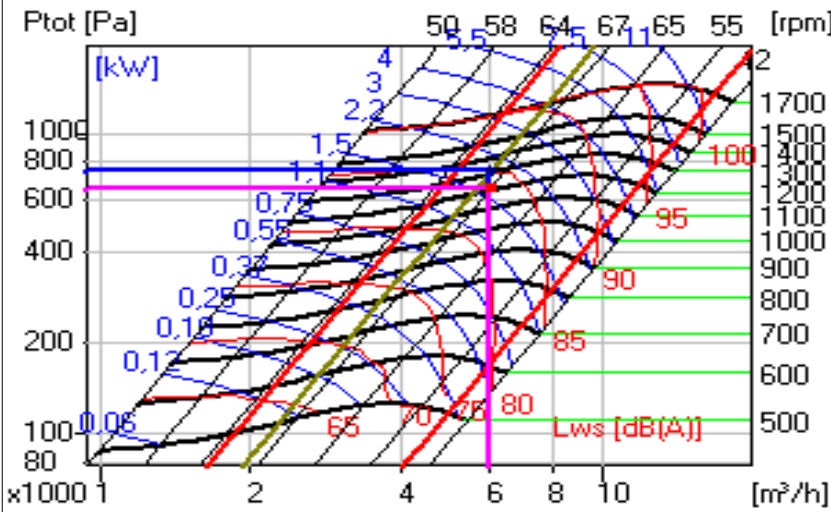


AT 12-12 S
 Single Unit - Ducted Outlet

Working Point Data



Total EFFICIENCY	66,4	%
Static Efficiency	58,3	%
Static Pressure	660	Pa
Velocity Pressure	92	Pa
Total Pressure	752	Pa
Fan Power	1,886	kW
Motor Power	2,263	kW
Volume Flow	6000	m³/h
Air Velocity	12,4	m/s
Fan Speed	1313	rpm
Temperature	20,5	°C
Altitude	0,	m
Density	1,2	kg/m³
Motor Efficiency	85	%
Specific Fan Power	1,331	kW/(m³/s)

AMCA Licensed for Air Performance.
 Performance shown is for installation type B, free inlet - ducted outlet.
 Performance Ratings do not include the effect of appurtenances in the airstream.
 Fan Power rating (kW or BHP) doesn't include drive losses.
 The AMCA Certified Ratings Seal applies to Air Performance only.

Operational Limits

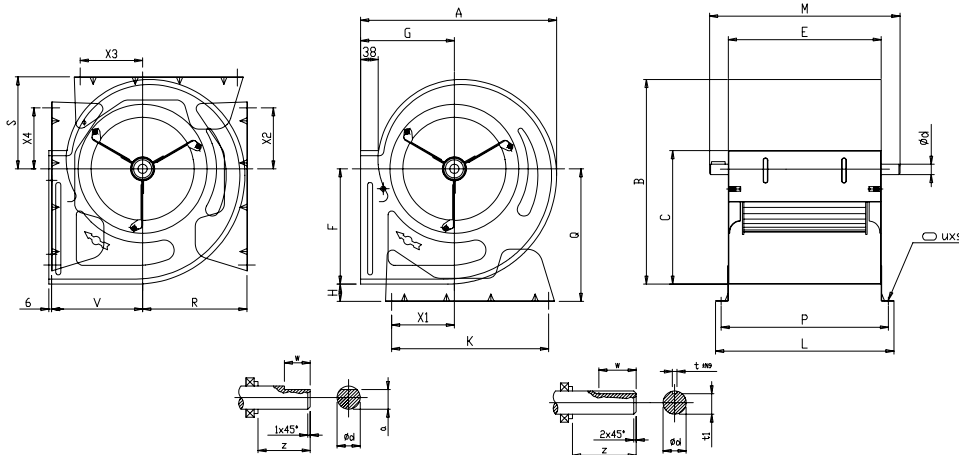
Max. Power	5,5	kW
Max. Fan Speed	1500	rpm
Min. Temperature	-20	°C
Max. Temperature	85	°C

Copyright Nicotra Spa - Italy -
 Dimensions and performances can be modified without prior notice
 Version 3.1.2 - April 16, 2005 - printed 18/09/2007 at 13.28.33

Hz	Sound Power Level [dB]								Lw-tot		LwA-tot	
	63	125	250	500	1000	2000	4000	8000				
Inlet side External - Lwi	80,3	85,1	85,1	77,8	78,1	79	76,5	71,3	90,1	dB	85	dBA
Outlet side in-duct - Lwo	87,6	89,9	88,2	80,5	79,5	80,2	77,9	72,6	94,2	dB	86,9	dBA
Outlet side Ext. - Lwom	75,7	82,8	85	79,4	79,2	80,1	77,9	72,6	89,5	dB	86	dBA

Notes

Motor power 3,0 kW



AT7/7-9/7-9/9-10/8-10/10

AT12/9-12/12-15/11-15/15-18/13-18/18

A	491	S	232
B	521	V	224
C	341	K	408
E	395	X1	161
F	294	X2	153
G	230	X3	161
H	38	X4	153
L	445	t	8
M	510	t1	21
P	421	w	35
Q	332	z	50
R	266	Ød	25
UxS			11x16

All dimensions in [mm]