



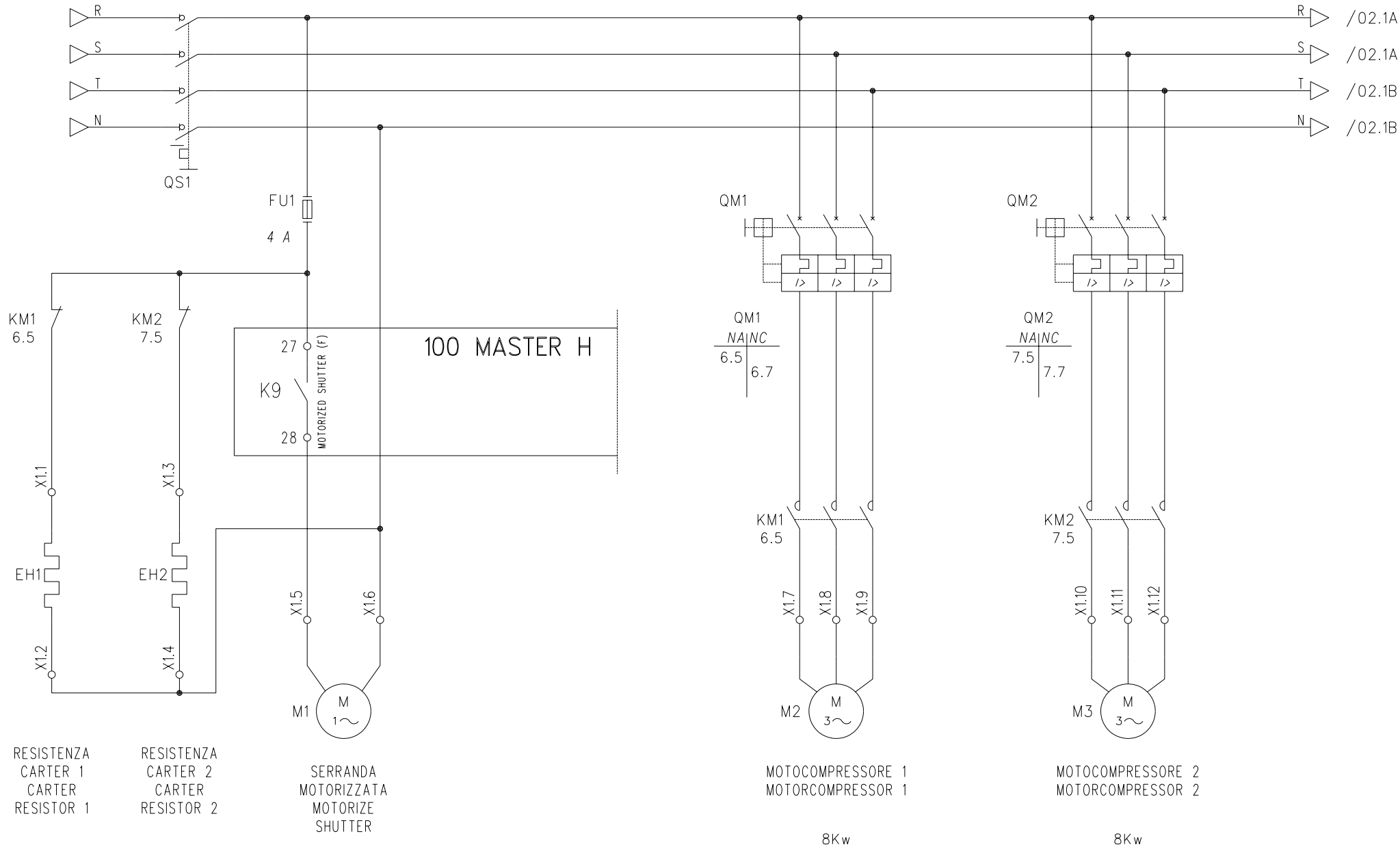


Ordercode:
5LMHPX090--0

COPYING OF THIS DOCUMENT, AND GIVING IT TO OTHERS AND THE USE OR COMMUNICATION OF THE CONTENTS THEREOF, ARE FORBIDDEN WITHOUT EXPRESS AUTHORITY. OFFENDERS ARE LIABLE TO THE PAYMENT OF DAMAGES. ALL RIGHTS ARE RESERVED IN THE EVENT OF THE GRANT OF A PATENT OF THE REGISTRATION OF A UTILITY MODEL OR DESIGN

DESIGN TYPE		DEFAULT VOLTAGE	400Vac	STANDARD	ENCLOSURE		
SERIE		300	CONTROLS VOLTAGE	230Vac	+ =		
ORDER CODE		5LMHPX090--0	SIGNALS VOLTAGE				
CUSTOMER		QUADRO ELETTRICO DI CONTROLLO HPX090 - VENTILATORI TRIFASE 2x....KW - COMP. 2x8KW - CONTROLLO FASI					
DESIGNED WITH CAD/CAE SYSTEM						Sabik 7	
				HPX090 ELECTRIC BOARD CONTROLLER - TREEPHASE FANS 2x...KW - TREEPHASE COMPRESSOR 2x8KW - PHASE SEQUENCE CHECK RELAY			
						DATE	SIGNAT.
		COMM.	16/07/2007	SCHEMA FUNZIONALE TABELLE DI RIEPILOGO MORSETTIERE			
		CHECK.	16/07/2007				
		APPROV.	16/07/2007				
				SHEET			
				0			
REV.	REVISION DESCRIPTION	DATE	COMMISS.	SUB. FOR:	SUBST.:	ORIGIN:	T.S. 11

INTERRUPTORE
GENERALE
MAIN SWITCH



PROJECT: 5LMHPX090--0.sch
 FILE NAME: 5LMHPX090--0.sch
 TYPE:

DATE	16/07/2007
COMMISS.	Davide
CHECKED BY	
APPROV.	

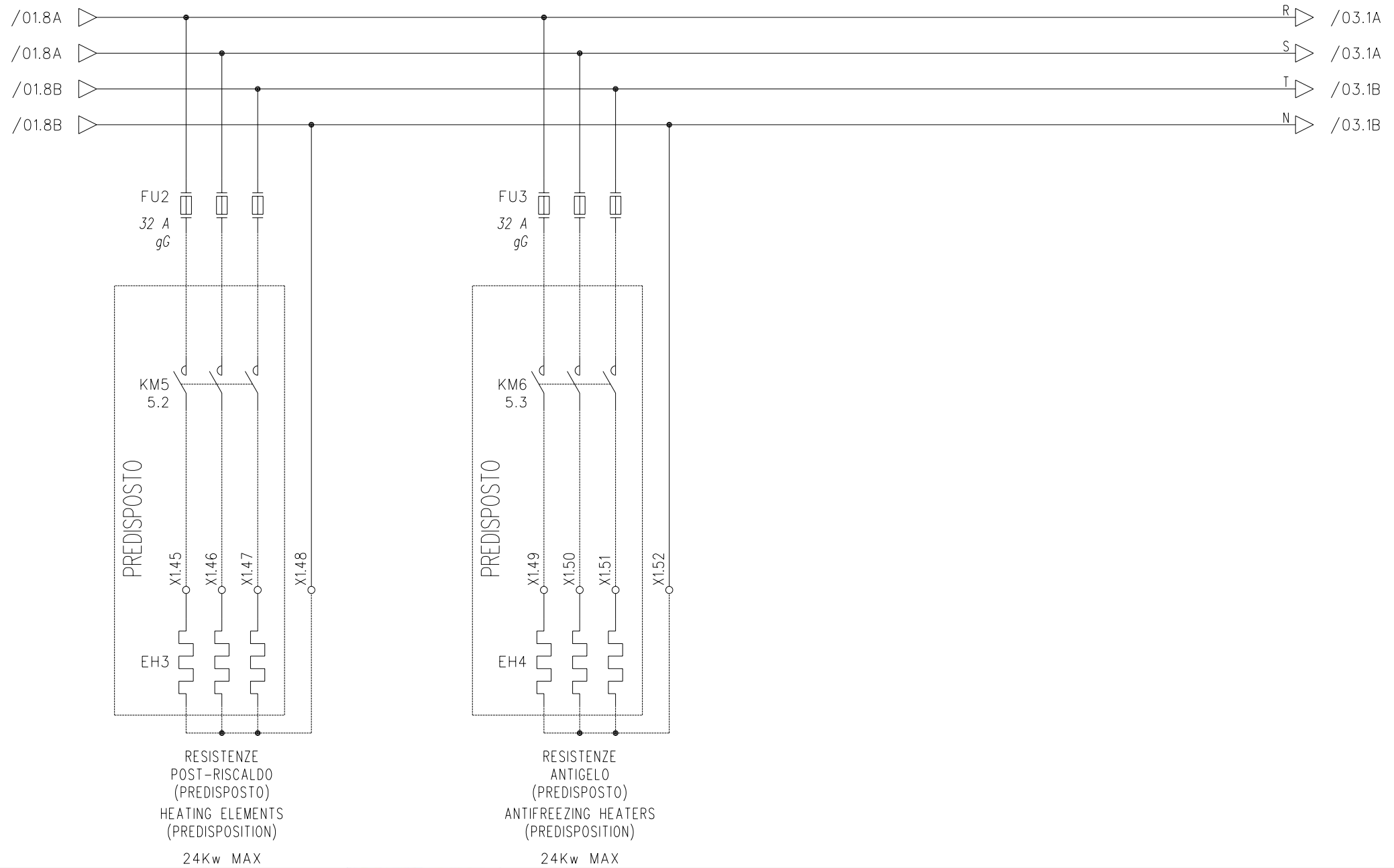


5LMHPX090--0

=	5LMHPX090--0
+	
	SHEET 1
N.S. 2	T.F. 11

COPYING OF THIS DOCUMENT, AND GIVING IT TO OTHERS AND THE USE OR COMMUNICATION OF THE CONTENTS THEREOF, ARE FORBIDDEN WITHOUT EXPRESS AUTHORITY. OFFENDERS ARE LIABLE TO THE PAYMENT OF DAMAGES. ALL RIGHTS ARE RESERVED IN THE EVENT OF THE GRANT OF A PATENT OF THE REGISTRATION OF A UTILITY MODEL OR DESIGN.

PROJECT: 5LMHPX090--0.sch
 FILE NAME:
 TYPE:



DATE	16/07/2007
COMMISS.	Dovide
CHECKED BY	
APPROV.	

SUBST.: SUB. FOR:

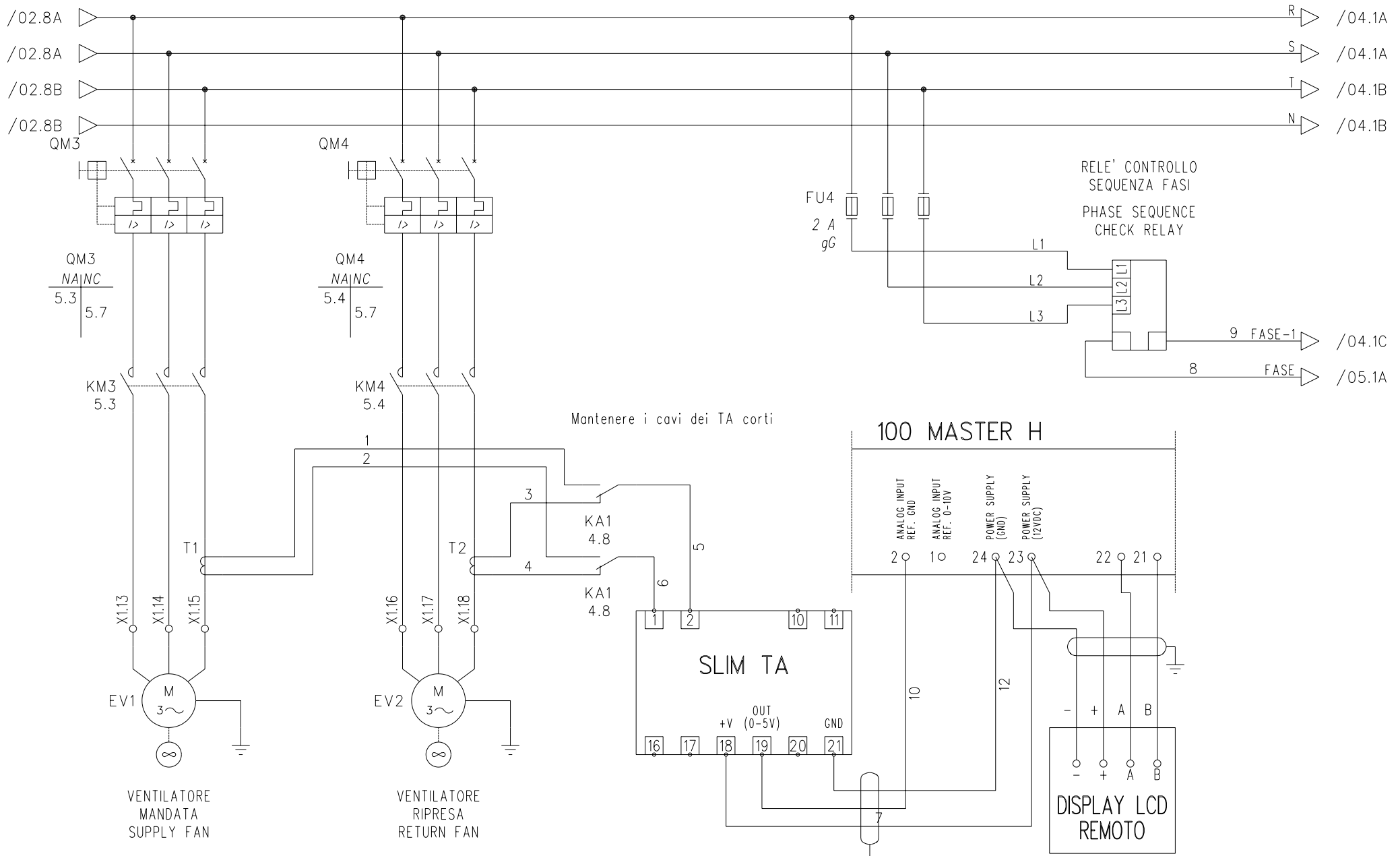


5LMHPX090--0

=	5LMHPX090--0
+	
SHEET 2	
N.S. 3	T.F. 11

COPYING OF THIS DOCUMENT, AND GIVING IT TO OTHERS AND THE USE OR COMMUNICATION OF THE CONTENTS THEREOF, ARE FORBIDDEN WITHOUT EXPRESS AUTHORITY. OFFENDERS ARE LIABLE TO THE PAYMENT OF DAMAGES. ALL RIGHTS ARE RESERVED IN THE EVENT OF THE GRANT OF A PATENT OF THE REGISTRATION OF A UTILITY MODEL OR DESIGN.

PROJECT: 5LMHPX090--0.sch
 FILE NAME:
 TYPE:



DATE	16/07/2007
COMMISS.	Davide
CHECKED BY	
APPROV.	
SUBST.:	
SUB. FOR:	



5LMHPX090--0

=	5LMHPX090--0
+	
SHEET	3
N.S.	4
T.F.	11

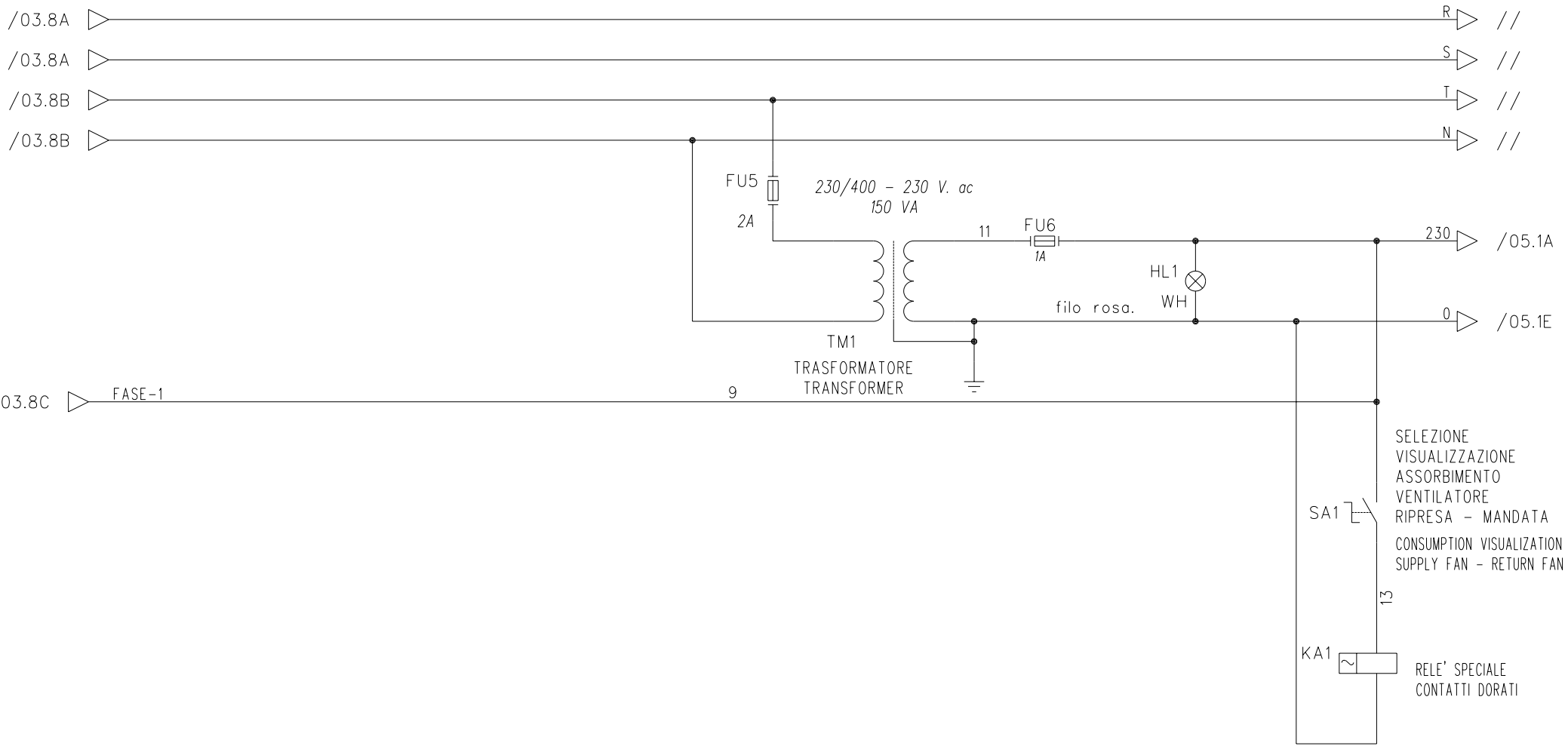
PROJECT: 5LMHPX090--0.sch
 FILE NAME: 5LMHPX090--0.sch
 TYPE:

DATE	26/10/2006		
COMMISS.	Bonvicini		
CHECKED BY			
APPROV.		SUBST.:	SUB. FOR:



5LMHPX090--0

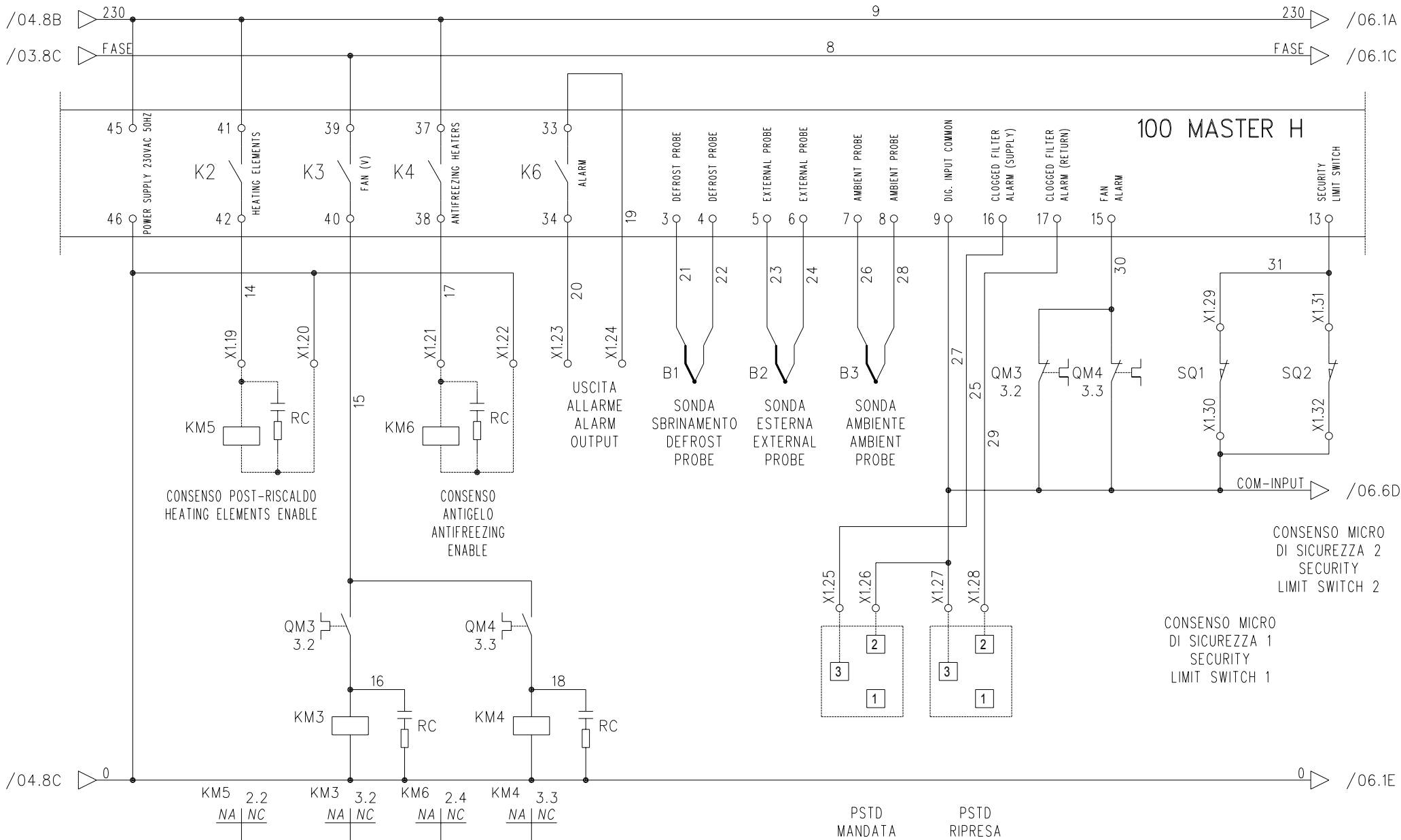
=	5LMHPX090--0
+	
	SHEET 4
N.S.	5
T.F.	11



KA1

NA	NC
3,4	
3,4	

PROJECT: 5LMHPX090--0.sch
 FILE NAME: 5LMHPX090--0.sch
 TYPE:



DATE	26/10/2006
COMMISS.	Bonvicini
CHECKED BY	
APPROV.	

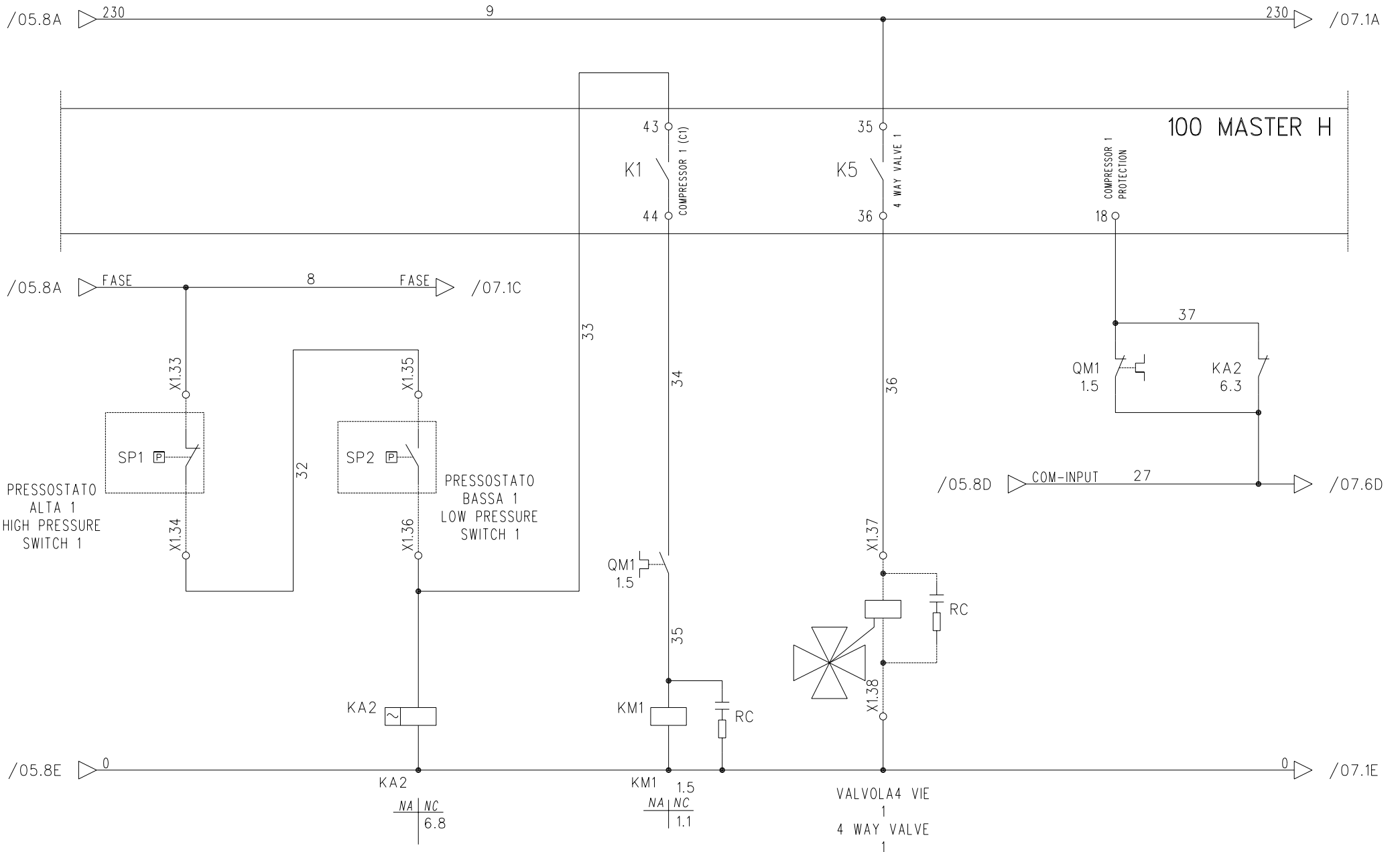


5LMHPX090--0

=	5LMHPX090--0
+	
	SHEET 5
N.S.	6
T.F.	11

COPYING OF THIS DOCUMENT, AND GIVING IT TO OTHERS AND THE USE OR COMMUNICATION OF THE CONTENTS THEREOF, ARE FORBIDDEN WITHOUT EXPRESS AUTHORITY. OFFENDERS ARE LIABLE TO THE PAYMENT OF DAMAGES. ALL RIGHTS ARE RESERVED IN THE EVENT OF THE GRANT OF A PATENT OF THE REGISTRATION OF A UTILITY MODEL OR DESIGN.

PROJECT: 5LMHPX090--0.sch
 FILE NAME:
 TYPE:



DATE	26/10/2006
COMMISS.	Bonvicini
CHECKED BY	
APPROV.	

SUBST.: SUB. FOR:



5LMHPX090--0

=	5LMHPX090--0
+	
	SHEET 6
N.S. 7	T.F. 11

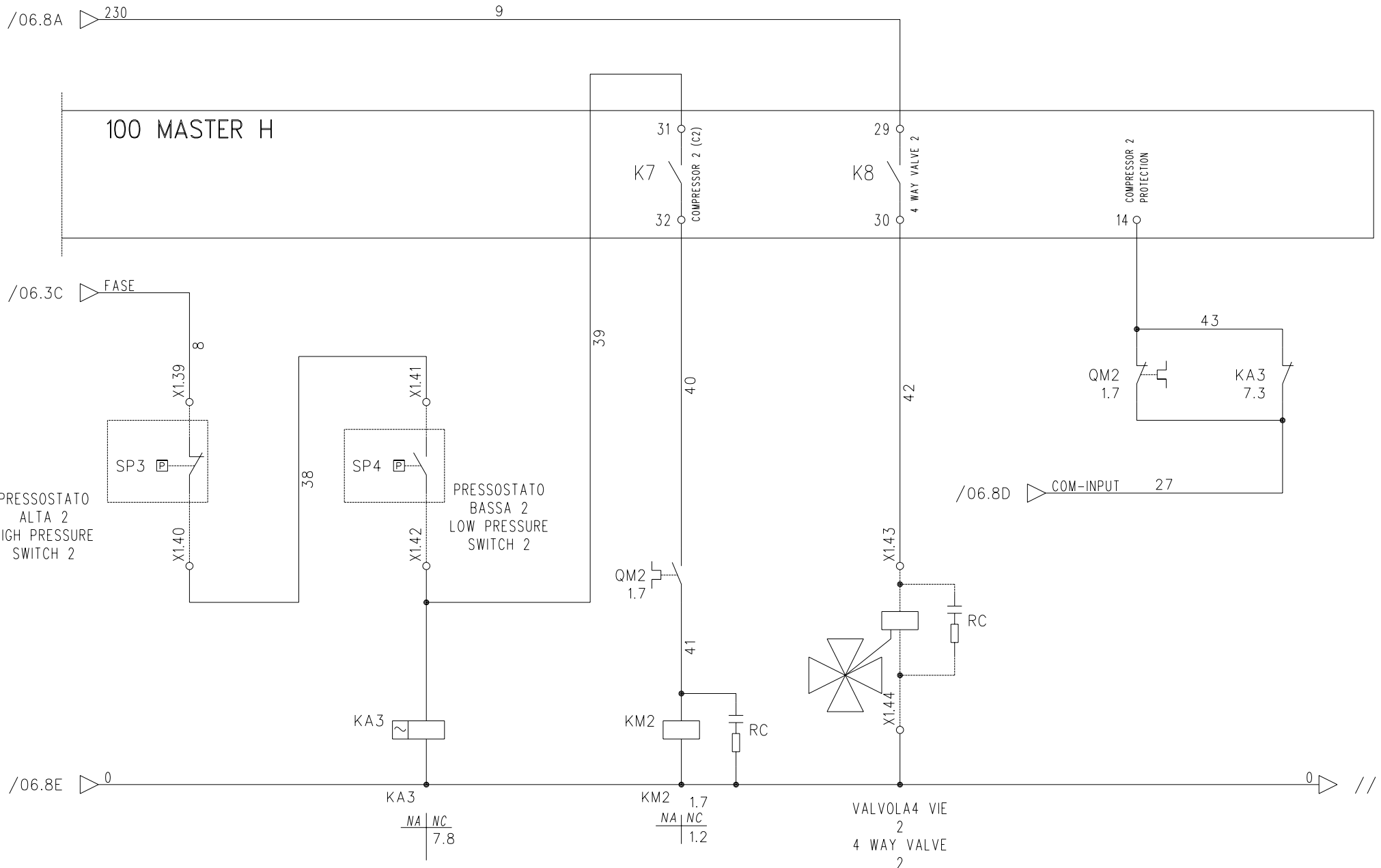
PROJECT: 5LMHPX090--0.sch
 FILE NAME: 5LMHPX090--0.sch
 TYPE:

DATE	26/10/2006
COMMISS.	Bonvicini
CHECKED BY	
APPROV.	



5LMHPX090--0

=	5LMHPX090--0
+	
	SHEET 7
N.S.	8
T.F.	11



COPYING OF THIS DOCUMENT AND GIVING IT TO OTHERS AND THE USE OR COMMUNICATION OF THE CONTENTS THEREOF ARE FORBIDDEN WITHOUT EXPRESS AUTHORITY. OFFENDERS ARE LIABLE TO THE PAYMENT OF DAMAGES. ALL RIGHTS ARE RESERVED IN THE EVENT OF THE GRANT OF A PATENT OF THE REGISTRATION OF A UTILITY MODEL OR DESIGN.

TABELLA CODE CAVI

UTENZA	CAVO	LUNGHEZZA FUORI QUADRO ml.	NOTE	PRESSACAVO PASSO PG	
COMPRESSORE 1	4X6	2		16	left
COMPRESSORE 2	4X6	2		16	right
VENTILATORE MANDATA	4X2.5	2,5		13.5	left
VENTILATORE RIPRESA	4X2.5	2,5		13.5	right
PRESSOSTATO ALTA 1	.	.	Installato da LMF	9	left
PRESSOSTATO BASSA 1	.	.	Installato da LMF	9	left
PRESSOSTATO ALTA 2	.	.	Installato da LMF	9	right
PRESSOSTATO BASSA 2	.	.	Installato da LMF	9	right
RES. POST-RISCALDO (PREDISPOSTO)	.	.	Installato da LMF	13,5	
RES. ANTIGELO (PREDISPOSTO)	.	.	Installato da LMF	13,5	
ALIMENTAZIONE Q.E.	.	.	Installato da LMF	.	
SONDA ESTERNA	CAVO SONDA 3,0 ml.		CONTRASSEGNARE CON COLORE BLU	9	
SONDA AMBIENTE	CAVO SONDA 3,0 ml.		CONTRASSEGNARE CON COLORE ROSSO		
SONDA SBRINAMENTO	CAVO SONDA 3,0 ml.		NON CONTRASSEGNARE		

COPYING OF THIS DOCUMENT, AND GIVING IT TO OTHERS AND THE USE OR COMMUNICATION OF THE CONTENTS THEREOF, ARE FORBIDDEN WITHOUT EXPRESS AUTHORITY OF OFFENDERS ARE LIABLE TO THE PAYMENT OF DAMAGES. ALL RIGHTS ARE RESERVED IN THE EVENT OF THE GRANT OF A PATENT OF THE REGISTRATION OF A UTILITY MODEL OR DESIGN

PROJECT: 5LMHPX090--0.sch
 FILE NAME: 5LMHPX090--0.sch
 TYPE:

DATE 16/07/2007
 COMMISS. Davide
 CHECKED BY
 APPROV.



5LMHPX090--0

= 5LMHPX090--0
 +
 SHEET 8
 N.S. X1-001 | T.F. 11

PROGETTO: 5LMHPX090--0.sch
 NOME FILE: 5LMHPX090--0.sch
 TIPOCO:

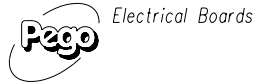
NON E' PERMESSO CONSERVARE A TERZI O RIPRODURRE QUESTO DOCUMENTO
 NE' UTILIZZARE IL CONTENUTO O RENDERSLO COMUNE. NOTO A TERZI SENZA LA NOSTRA
 AUTORIZZAZIONE ESPLICITA. OGNI INFRAZIONE COMPORTA IL RISARCIMENTO DEI DANNI
 SUBITI. E' FATTA RISERVA DI TUTTI I DIRITTI DERIVANTI DA BREVETTI O MODELLI

X1

1	RESISTENZA CARTER 1	EH1	1	1.1
	CARTER RESISTOR 1			
2	RESISTENZA CARTER 1	EH1	2	1.1
	CARTER RESISTOR 1			
3	RESISTENZA CARTER 2	EH2	3	1.2
	CARTER RESISTOR 2			
4	RESISTENZA CARTER 2	EH2	4	1.2
	CARTER RESISTOR 2			
5	SERRANDA MOTORIZZATA	M1	5	1.3
	MOTORIZED SHUTTER			
6	SERRANDA MOTORIZZATA	M1	6	1.3
	MOTORIZED SHUTTER			
7	MOTOCOMPRESSORE 1	M2	7	1.5
	MOTORCOMPRESSOR 1			
8	MOTOCOMPRESSORE 1	M2	8	1.5
	MOTORCOMPRESSOR 1			
9	MOTOCOMPRESSORE 1	M2	9	1.6
	MOTORCOMPRESSOR 1			
10	MOTOCOMPRESSORE 2	M3	10	1.7
	MOTORCOMPRESSOR 2			
11	MOTOCOMPRESSORE 2	M3	11	1.7
	MOTORCOMPRESSOR 2			
12	MOTOCOMPRESSORE 2	M3	12	1.7
	MOTORCOMPRESSOR 2			
13	VENTILATORE MANDATA	EV1	13	3.2
	SUPPLY FAN			
14	VENTILATORE MANDATA	EV1	14	3.2
	SUPPLY FAN			
15	VENTILATORE MANDATA	EV1	15	3.2
	SUPPLY FAN			
16	VENTILATORE RIPRESA	EV2	16	3.3
	RETURN FAN			
17	VENTILATORE RIPRESA	EV2	17	3.3
	RETURN FAN			
18	VENTILATORE RIPRESA	EV2	18	3.3
	RETURN FAN			
19	CONSENSO POST-RISCALDO	KM5	19	5.2
	HEATING ELEMENTS ENABLE			
20	CONSENSO POST-RISCALDO	KM5	20	5.3
	HEATING ELEMENTS ENABLE			
21	CONSENSO ANTIGELO	KM6	21	5.3
	ANTIFREEZING ENABLE			
22	CONSENSO ANTIGELO	KM6	22	5.4
	ANTIFREEZING ENABLE			
23	USCITA ALLARME		23	5.4
	ALARM OUTPUT			
24	USCITA ALLARME		24	5.4
	ALARM OUTPUT			
25	ALLARME PSTD MANDATA		25	5.5
	SUPPLY PSTD ALARM			
26	ALLARME PSTD MANDATA	X1.27	26	5.6
	SUPPLY PSTD ALARM			
27	ALLARME PSTD RIPRESA	X1.26	27	5.6
	RETURN PSTD ALARM			
28	ALLARME PSTD RIPRESA		28	5.6
	RETURN PSTD ALARM			
29	CONSENSO MICRO DI SICUREZZA 1	S01	29	5.8
	SECURITY LIMIT SWITCH 1			
30	CONSENSO MICRO DI SICUREZZA 1	S01	30	5.8
	SECURITY LIMIT SWITCH 1			

DATA 26/10/2006
 DISEGN. Bonvicini
 CONTR.

RIEPILOGO MORSETTI
 TERMINAL BOARD SUMMARY



5LMHPX090--0

= 5LMHPX090--0
 +
 FOGLIO X1-001
 F.S. X1-002 T.F. 11

SOST. IL: SOST. DA:

PROGETTO: 5LMHPX090--0.sch
 NOME FILE: 5LMHPX090--0.sch
 TIPOCO:

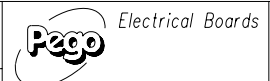
NON E' PERMESSO CONSEGNARE A TERZI O RIPRODURRE QUESTO DOCUMENTO
 NE' UTILIZZARE IL CONTENUTO O RENDERSLO COMUNE, NOTO A TERZI SENZA LA NOSTRA
 AUTORIZZAZIONE ESPLICITA. OGNI INFRAZIONE COMPORTA IL RISARCIMENTO DEI DANNI
 SUBITI. E' FATTA RISERVA DI TUTTI I DIRITTI DERIVANTI DA BREVETTI O MODELLI

X1

31	5.8	SQ2	CONSENSO MICRO DI SICUREZZA 2
			SECURITY LIMIT SWITCH 2
32	5.8	SQ2	CONSENSO MICRO DI SICUREZZA 2
			SECURITY LIMIT SWITCH 2
33	6.2	SP1	PRESSOSTATO ALTA 1
			HIGH PRESSURE SWITCH 1
34	6.2	SP1	PRESSOSTATO ALTA 1
			HIGH PRESSURE SWITCH 1
35	6.3	SP2	PRESSOSTATO BASSA 1
			LOW PRESSURE SWITCH 1
36	6.3	SP2	PRESSOSTATO BASSA 1
			LOW PRESSURE SWITCH 1
37	6.6		VALVOLA 4 VIE 1
			4 WAY VALVE 1
38	6.6		VALVOLA 4 VIE 1
			4 WAY VALVE 1
39	7.2	SP3	PRESSOSTATO ALTA 2
			HIGH PRESSURE SWITCH 2
40	7.2	SP3	PRESSOSTATO ALTA 2
			HIGH PRESSURE SWITCH 2
41	7.3	SP4	PRESSOSTATO BASSA 2
			LOW PRESSURE SWITCH 2
42	7.3	SP4	PRESSOSTATO BASSA 2
			LOW PRESSURE SWITCH 2
43	7.6		VALVOLA 4 VIE 2
			4 WAY VALVE 2
44	7.6		VALVOLA 4 VIE 2
			4 WAY VALVE 2
45	2.2	EH3	RESISTENZE POST-RISCALDO (PREDISPOSTO)
			HEATING ELEMENTS (PREDISPOSITION)
46	2.2	EH3	RESISTENZE POST-RISCALDO (PREDISPOSTO)
			HEATING ELEMENTS (PREDISPOSITION)
47	2.2	EH3	RESISTENZE POST-RISCALDO (PREDISPOSTO)
			HEATING ELEMENTS (PREDISPOSITION)
48	2.3	EH3	RESISTENZE POST-RISCALDO (PREDISPOSTO)
			HEATING ELEMENTS (PREDISPOSITION)
49	2.4	EH4	RESISTENZE ANTIGELO (PREDISPOSTO)
			ANTIFREEZING HEATERS (PREDISPOSITION)
50	2.4	EH4	RESISTENZE ANTIGELO (PREDISPOSTO)
			ANTIFREEZING HEATERS (PREDISPOSITION)
51	2.4	EH4	RESISTENZE ANTIGELO (PREDISPOSTO)
			ANTIFREEZING HEATERS (PREDISPOSITION)
52	2.5	EH4	RESISTENZE ANTIGELO (PREDISPOSTO)
			ANTIFREEZING HEATERS (PREDISPOSITION)

DATA 26/10/2006
 DISEGN. Bonvicini
 CONTR.

RIEPILOGO MORSETTI
 TERMINAL BOARD SUMMARY



5LMHPX090--0

= 5LMHPX090--0
 +
 FOGLIO X1-002
 F.S. T.F. 11

SOST. IL: SOST. DA: