

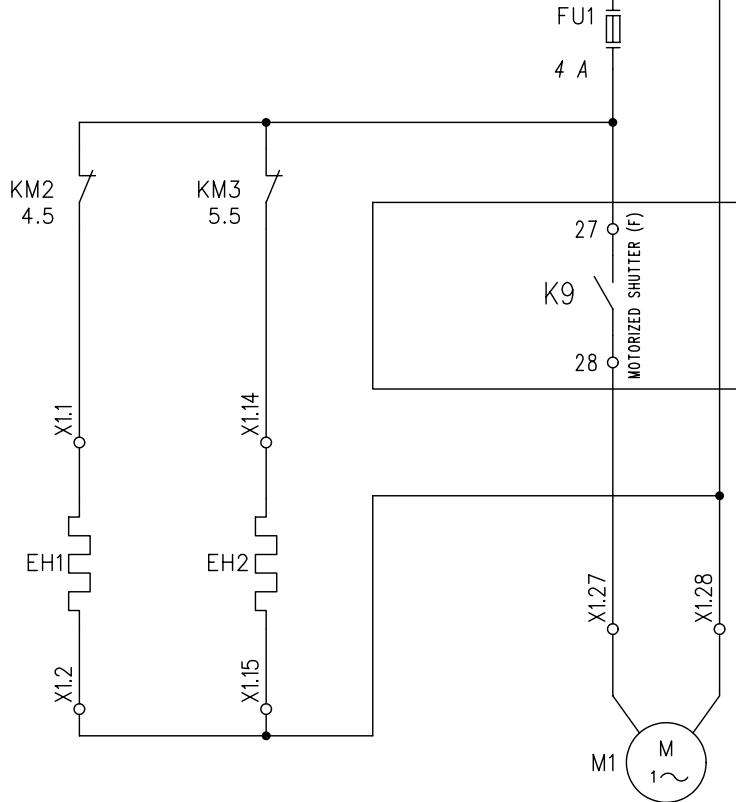
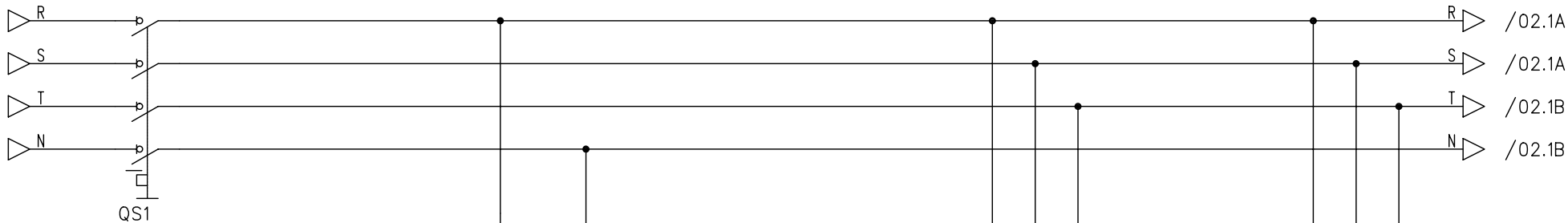


**Ordercode:**  
**5LMHPX040**

COPYING OF THIS DOCUMENT, AND GIVING IT TO OTHERS AND THE USE OR COMMUNICATION OF THE CONTENTS THEREOF, ARE FORBIDDEN WITHOUT EXPRESS AUTHORITY. OFFENDERS ARE LIABLE TO THE PAYMENT OF DAMAGES. ALL RIGHTS ARE RESERVED IN THE EVENT OF THE GRANT OF A PATENT OF THE REGISTRATION OF A UTILITY MODEL OR DESIGN

DESIGN TYPE				DEFAULT VOLTAGE	400Vac	STANDARD	ENCLOSURE
SERIE				06-	CONTROLS VOLTAGE	230Vac	+ =
ORDER CODE				5LMHPX040	SIGNALS VOLTAGE		
CUSTOMER				QUADRO ELETTRICO DI CONTROLLO HPX040			
DESIGNED WITH CAD/GAE SYSTEM				Sabik 7			
							
				HPX040 ELECTRIC BOARD CONTROLLER - TREEPHASE FANS 2x2KW - TREEPHASE COMPRESSOR 2x3.7KW - PHASE SEQUENCE CHECK RELAY			
				DATE	SIGNAT.	SCHEMA FUNZIONALE TABELLE DI RIEPILOGO MORSETTIERE	
				COMM.	13/02/2006		
				CHECK.	13/02/2006		
				APPROV.	13/02/2006		
							
REV.	REVISION DESCRIPTION	DATE	COMMISS.	SUB. FOR:	SUBST.:	ORIGIN:	SHEET 0 T.S. 9

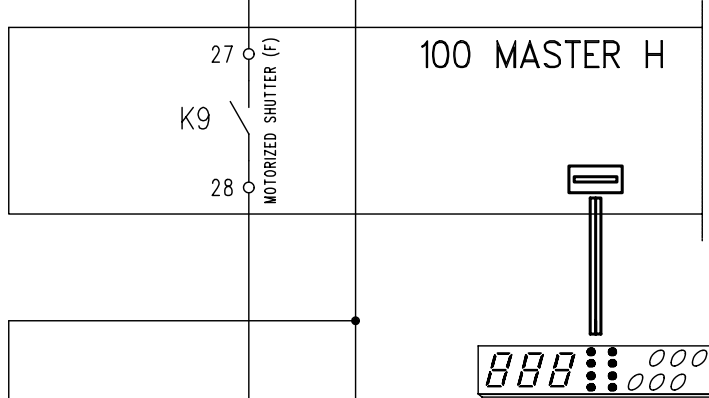
INTERRUPTORE  
GENERALE  
MAIN SWITCH



RESISTENZA  
CARTER 1  
CARTER  
RESISTOR 1

RESISTENZA  
CARTER 2  
CARTER  
RESISTOR 2

SERRANDA  
MOTORIZZATA  
MOTORIZE  
SHUTTER



100 MASTER H

CONSOLE REMOTA  
PLUS HPX  
REMOTE CONSOLE  
(PLUS HPX)

MOTOCOMPRESSORE 1  
MOTORCOMPRESSOR 1

MOTOCOMPRESSORE 2  
MOTORCOMPRESSOR 2

PROJECT: 5LMHPX040.sch  
 FILE NAME: 5LMHPX040.sch  
 TYPE:

DATE	23/01/2006
COMMISS.	Bonvicini
CHECKED BY	
APPROV.	

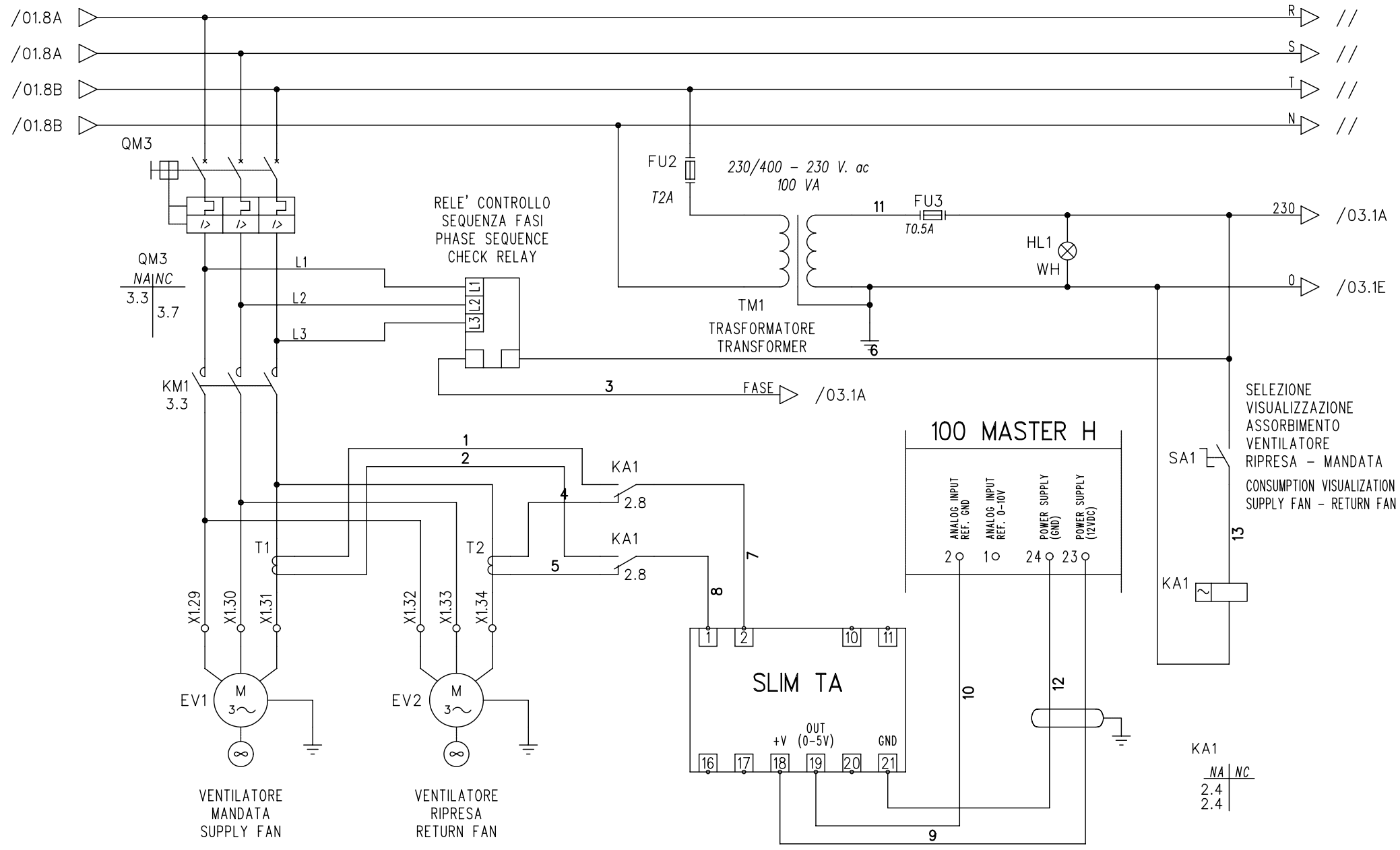


5LMHPX040

- 5LMHPX040	
+	
SHEET 1	
N.S. 2	T.F. 9

COPYING OF THIS DOCUMENT AND GIVING IT TO OTHERS AND THE USE OR COMMUNICATION OF THE CONTENTS THEREOF ARE FORBIDDEN WITHOUT EXPRESS AUTHORITY. OFFENDERS ARE LIABLE TO THE PAYMENT OF DAMAGES. ALL RIGHTS ARE RESERVED IN THE EVENT OF THE GRANT OF A PATENT OF THE REGISTRATION OF A UTILITY MODEL OR DESIGN.

PROJECT: 5LMHPX040.sch  
 FILE NAME: 5LMHPX040.sch  
 TYPE:



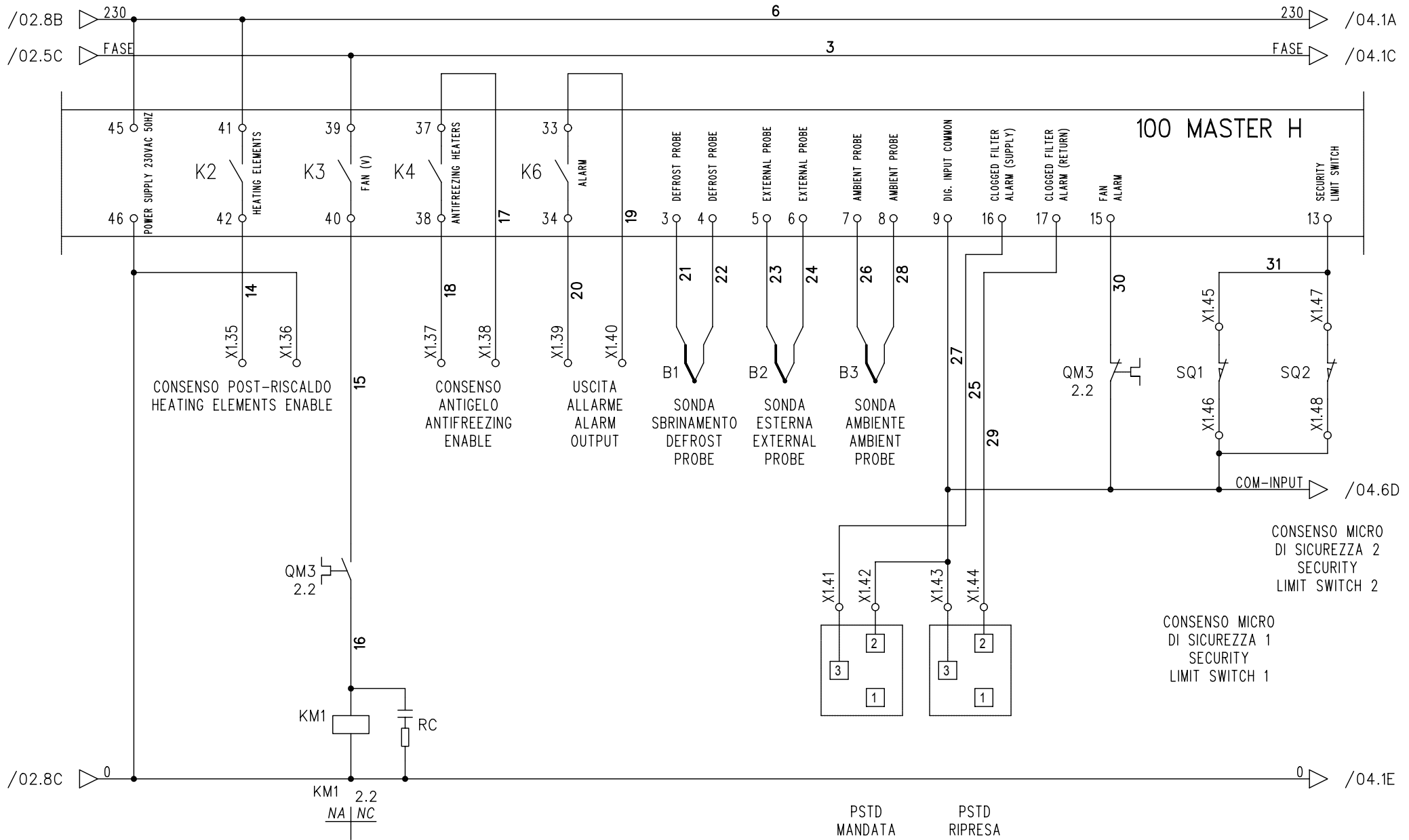
DATE	13/02/2006
COMMISS.	TESTONI
CHECKED BY	
APPROV.	
SUBST.:	SUB. FOR:



5LMHPX040

-	5LMHPX040
+	
SHEET 2	
N.S. 3	T.F. 9

PROJECT: 5LMHPX040.sch  
 FILE NAME: 5LMHPX040.sch  
 TYPE:  
 COPYING OF THIS DOCUMENT, AND GIVING IT TO OTHERS AND THE USE OR COMMUNICATION OF THE CONTENTS THEREOF, ARE FORBIDDEN WITHOUT EXPRESS AUTHORITY. OFFENDERS ARE LIABLE TO THE PAYMENT OF DAMAGES. ALL RIGHTS ARE RESERVED IN THE EVENT OF THE GRANT OF A PATENT OF THE REGISTRATION OF A UTILITY MODEL OR DESIGN.



DATE	23/01/2006
COMMISS.	Bonvicini
CHECKED BY	
APPROV.	

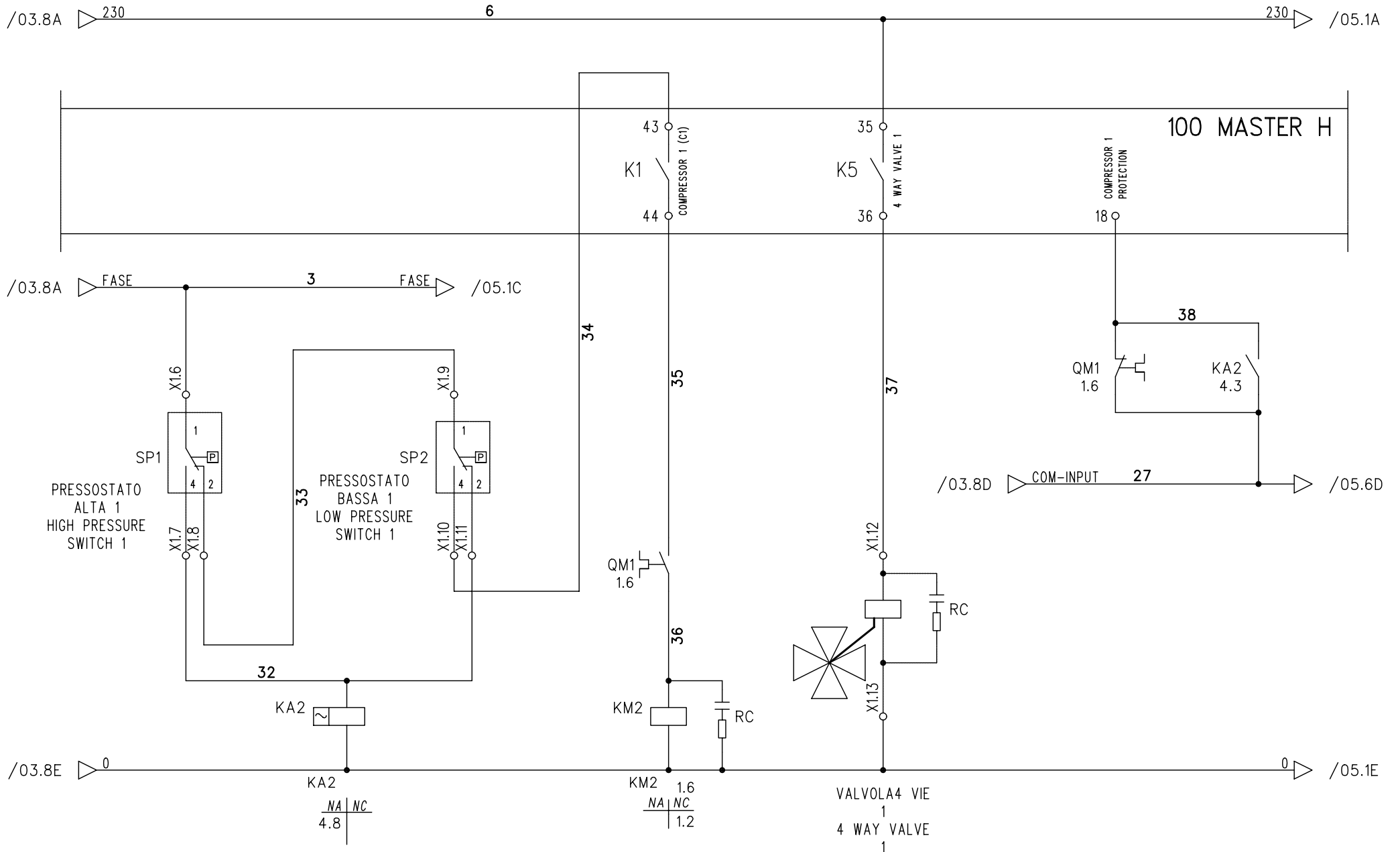


5LMHPX040

-	5LMHPX040
+	
SHEET 3	
N.S. 4	T.F. 9

COPYING OF THIS DOCUMENT AND GIVING IT TO OTHERS AND THE USE OR COMMUNICATION OF THE CONTENTS THEREOF ARE FORBIDDEN WITHOUT EXPRESS AUTHORITY. OFFENDERS ARE LIABLE TO THE PAYMENT OF DAMAGES. ALL RIGHTS ARE RESERVED IN THE EVENT OF THE GRANT OF A PATENT OF THE REGISTRATION OF A UTILITY MODEL OR DESIGN.

PROJECT: 5LMHPX040.sch  
 FILE NAME: 5LMHPX040.sch  
 TYPE:



DATE	23/01/2006
COMMISS.	Bonvicini
CHECKED BY	
APPROV.	

SUBST.: SUB. FOR:

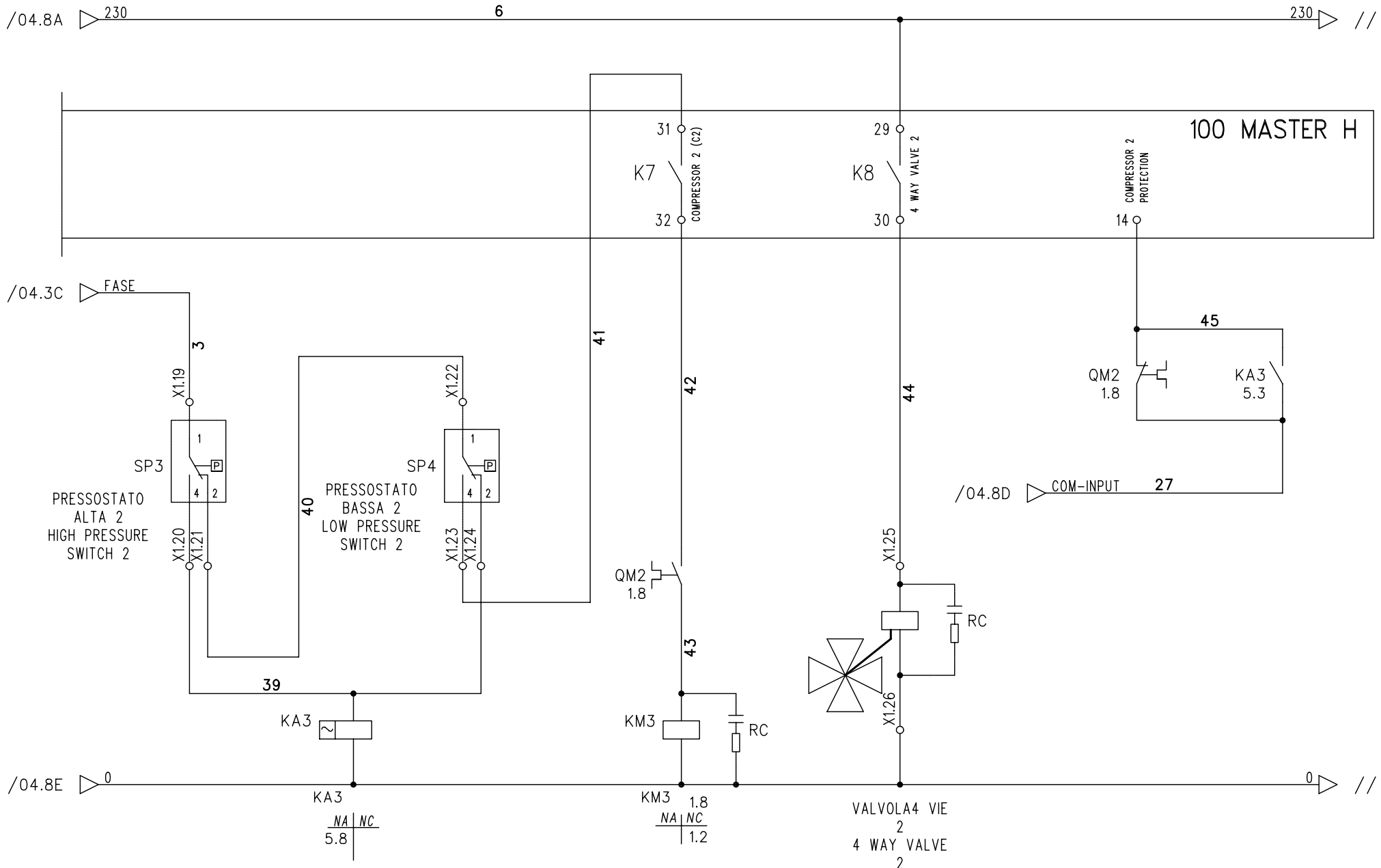


5LMHPX040

-	5LMHPX040
+	
SHEET 4	
N.S. 5	T.F. 9

COPYING OF THIS DOCUMENT AND GIVING IT TO OTHERS AND THE USE OR COMMUNICATION OF THE CONTENTS THEREOF ARE FORBIDDEN WITHOUT EXPRESS AUTHORITY. OFFENDERS ARE LIABLE TO THE PAYMENT OF DAMAGES. ALL RIGHTS ARE RESERVED IN THE EVENT OF THE GRANT OF A PATENT OF THE REGISTRATION OF A UTILITY MODEL OR DESIGN.

PROJECT: 5LMHPX040.sch  
 FILE NAME:  
 TYPE:



DATE	23/01/2006
COMMISS.	Bonvicini
CHECKED BY	
APPROV.	



5LMHPX040

-	5LMHPX040
+	
	SHEET 5
	N.S. CODE CAVIF.9

# TABELLA CODE CAVI

UTENZA	CAVO	LUNGHEZZA FUORI QUADRO ml.	NOTE	PRESSACAVO PASSO PG	POSIZIONE
COMPRESSORE 1	4X2,5	1,5		13,5	B
COMPRESSORE 2	4X2,5	1,5		13,5	C
VENTILATORE MANDATA	4X1,5	2,0		11	D
VENTILATORE RIPRESA	4X1,5	2,0		11	E
PRESSOSTATO ALTA 1	4X1	1,5	CONTRASSEGNARE CON LETTERA "A1" E NUMERARE IN TESTA	9	H
PRESSOSTATO BASSA 1	4X1	1,5	CONTRASSEGNARE CON LETTERA "B1" E NUMERARE IN TESTA	9	I
PRESSOSTATO ALTA 2	4X1	1,5	CONTRASSEGNARE CON LETTERA "A2" E NUMERARE IN TESTA	9	L
PRESSOSTATO BASSA 2	4X1	1,5	CONTRASSEGNARE CON LETTERA "B2" E NUMERARE IN TESTA	9	M
SONDA ESTERNA	CAVO SONDA 3,0 ml.		CONTRASSEGNARE CON COLORE BLU	9	9
SONDA AMBIENTE	CAVO SONDA 3,0 ml.		CONTRASSEGNARE CON COLORE ROSSO		
SONDA SBRINAMENTO	CAVO SONDA 3,0 ml.		NON CONTRASSEGNARE		

S   R   Q   P   O   N   M   L	
I   H   G   F   E   D   C   B   A	

COPYING OF THIS DOCUMENT, AND GIVING IT TO OTHERS AND THE USE OR COMMUNICATION OF THE CONTENTS THEREOF, ARE FORBIDDEN WITHOUT EXPRESS AUTHORITY. OFFENDERS ARE LIABLE TO THE PAYMENT OF DAMAGES. ALL RIGHTS ARE RESERVED IN THE EVENT OF THE GRANT OF A PATENT OF THE REGISTRATION OF A UTILITY MODEL OR DESIGN.

PROJECT: 5LMHPX040.sch  
FILE NAME:  
TYPE:

COPYING OF THIS DOCUMENT, AND GIVING IT TO OTHERS AND THE USE OR COMMUNICATION OF THE CONTENTS THEREOF, ARE FORBIDDEN WITHOUT EXPRESS AUTHORITY. OFFENDERS ARE LIABLE TO THE PAYMENT OF DAMAGES. ALL RIGHTS ARE RESERVED IN THE EVENT OF THE GRANT OF A PATENT OF THE REGISTRATION OF A UTILITY MODEL OR DESIGN.

PROJECT: 5LMHPX040.sch  
FILE NAME:  
TYPE:

DATE: 23/01/2006  
COMMISS.: Bonvicini  
CHECKED BY:  
APPROV.:  
SUBST.:  
SUB. FOR:

RIEPILOGO MORSETTI  
TERMINAL BOARD SUMMARY



5LMHPX040

- 5LMHPX040  
+  
SHEET X1-001  
N.S. X1-002 T.F. 9

# X1

1	EH1	RESISTENZA CARTER 1	1.2
2	EH1	CARTER RESISTOR 1	1.2
3	M2	RESISTENZA CARTER 1	1.6
4	M2	CARTER RESISTOR 1	1.6
5	M2	MOTOCOMPRESSORE 1	1.6
6	SP1	MOTOCOMPRESSORE 1	4.2
7	SP1	MOTOCOMPRESSORE 1	4.2
8	SP1	MOTOCOMPRESSORE 1	4.2
9	SP2	MOTOCOMPRESSORE 1	4.3
10	SP2	MOTOCOMPRESSORE 1	4.3
11	SP2	MOTOCOMPRESSORE 1	4.3
12		PRESSOSTATO ALTA 1	4.6
13		HIGH PRESSURE SWITCH 1	4.6
14	EH2	4 WAY VALVE 1	1.2
15	EH2	VALVOLA 4 VIE 1	1.2
16	M3	4 WAY VALVE 1	1.7
17	M3	RESISTENZA CARTER 2	1.8
18	M3	CARTER RESISTOR 2	1.8
19	SP3	MOTOCOMPRESSORE 2	5.2
20	SP3	MOTOCOMPRESSORE 2	5.2
21	SP3	MOTOCOMPRESSORE 2	5.2
22	SP4	MOTOCOMPRESSORE 2	5.3
23	SP4	MOTOCOMPRESSORE 2	5.3
24	SP4	MOTOCOMPRESSORE 2	5.3
25		PRESSOSTATO ALTA 2	5.6
26		HIGH PRESSURE SWITCH 2	5.6
27	M1	4 WAY VALVE 2	1.4
28	M1	VALVOLA 4 VIE 2	1.4
29	EV1	4 WAY VALVE 2	2.2
30	EV1	VALVOLA 4 VIE 2	2.2

COPYING OF THIS DOCUMENT, AND GIVING IT TO OTHERS AND THE USE OR COMMUNICATION OF THE CONTENTS THEREOF, ARE FORBIDDEN WITHOUT EXPRESS AUTHORITY. OFFENDERS ARE LIABLE TO THE PAYMENT OF DAMAGES. ALL RIGHTS ARE RESERVED IN THE EVENT OF THE GRANT OF A PATENT OF THE REGISTRATION OF A UTILITY MODEL OR DESIGN.

PROJECT: 5LMHPX040.sch  
 FILE NAME:  
 TYPE:

DATE 23/01/2006  
 COMMISS. Bonvicini  
 CHECKED BY  
 APPROV.

RIEPILOGO MORSETTI  
 TERMINAL BOARD SUMMARY



5LMHPX040

- 5LMHPX040  
 +  
 SHEET X1-002  
 N.S. T.F. 9

X1

31	2.2	EV1	VENTILATORE MANDATA
			SUPPLY FAN
32	2.3	EV2	VENTILATORE RIPRESA
			RETURN FAN
33	2.3	EV2	VENTILATORE RIPRESA
			RETURN FAN
34	2.4	EV2	VENTILATORE RIPRESA
			RETURN FAN
35	3.2		CONSENSO POST-RISCALDO
			HEATING ELEMENTS ENABLE
36	3.2		CONSENSO POST-RISCALDO
			HEATING ELEMENTS ENABLE
37	3.3		CONSENSO ANTIGELO
			ANTIFREEZING ENABLE
38	3.4		CONSENSO ANTIGELO
			ANTIFREEZING ENABLE
39	3.4		USCITA ALLARME
			ALARM OUTPUT
40	3.4		USCITA ALLARME
			ALARM OUTPUT
41	3.5		ALLARME PSTD MANDATA
			SUPPLY PSTD ALARM
42	3.6		ALLARME PSTD MANDATA
			SUPPLY PSTD ALARM
43	3.6		ALLARME PSTD RIPRESA
			RETURN PSTD ALARM
44	3.6		ALLARME PSTD RIPRESA
			RETURN PSTD ALARM
45	3.8	SQ1	CONSENSO MICRO DI SICUREZZA 1
			SECURITY LIMIT SWITCH 1
46	3.8	SQ1	CONSENSO MICRO DI SICUREZZA 1
			SECURITY LIMIT SWITCH 1
47	3.8	SQ2	CONSENSO MICRO DI SICUREZZA 2
			SECURITY LIMIT SWITCH 2
48	3.8	SQ2	CONSENSO MICRO DI SICUREZZA 2
			SECURITY LIMIT SWITCH 2