

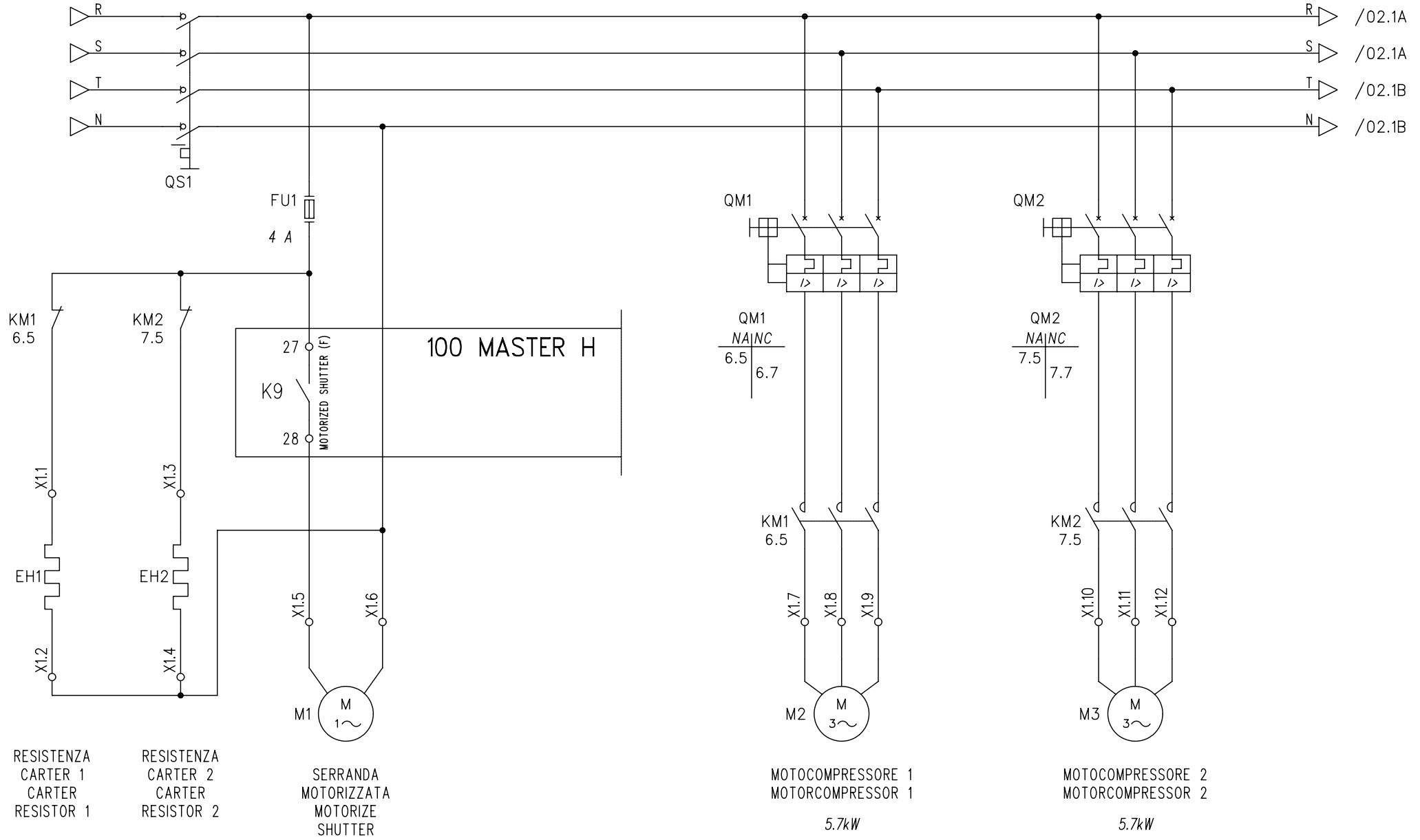


Ordercode:
5LMHPX060

COPYING OF THIS DOCUMENT, AND GIVING IT TO OTHERS AND THE USE OR COMMUNICATION OF THE CONTENTS THEREOF, ARE FORBIDDEN WITHOUT EXPRESS AUTHORITY. OFFENDERS ARE LIABLE TO THE PAYMENT OF DAMAGES. ALL RIGHTS ARE RESERVED IN THE EVENT OF THE GRANT OF A PATENT OF THE REGISTRATION OF A UTILITY MODEL OR DESIGN

DESIGN TYPE				DEFAULT VOLTAGE	400Vac	STANDARD	ENCLOSURE
SERIE				3006011526-3006011527	CONTROLS VOLTAGE	230Vac	+ =
ORDER CODE				5LMHPX060			
CUSTOMER							
DESIGNED WITH CAD/GAE SYSTEM				Sabik 7			
							
				HPX060 ELECTRIC BOARD CONTROLLER			
				- TREEPHASE FANS 2x4KW			
				- TREEPHASE COMPRESSOR 2x5.7KW			
				- PHASE SEQUENCE CHECK RELAY			
				DATE	SIGNAT.	SCHEMA FUNZIONALE	
				COMM.	20/11/2006	TABELLE DI RIEPILOGO	
				CHECK.	20/11/2006	MORSETTIERE	
				APPROV.	20/11/2006		
							
REV.	REVISION DESCRIPTION	DATE	COMMISS.	SUB. FOR:	SUBST.:	ORIGIN:	SHEET 0 T.S. 11

INTERRUPTORE
GENERALE
MAIN SWITCH



RESISTENZA
CARTER 1
CARTER
RESISTOR 1

RESISTENZA
CARTER 2
CARTER
RESISTOR 2

SERRANDA
MOTORIZZATA
MOTORIZE
SHUTTER

MOTOCOMPRESSORE 1
MOTORCOMPRESSOR 1
5.7kW

MOTOCOMPRESSORE 2
MOTORCOMPRESSOR 2
5.7kW

COPYING OF THIS DOCUMENT AND GIVING IT TO OTHERS AND THE USE OR COMMUNICATION OF THE CONTENTS THEREOF ARE FORBIDDEN WITHOUT EXPRESS AUTHORITY. OFFENDERS ARE LIABLE TO THE PAYMENT OF DAMAGES. ALL RIGHTS ARE RESERVED IN THE EVENT OF THE GRANT OF A PATENT OF THE REGISTRATION OF A UTILITY MODEL OR DESIGN.

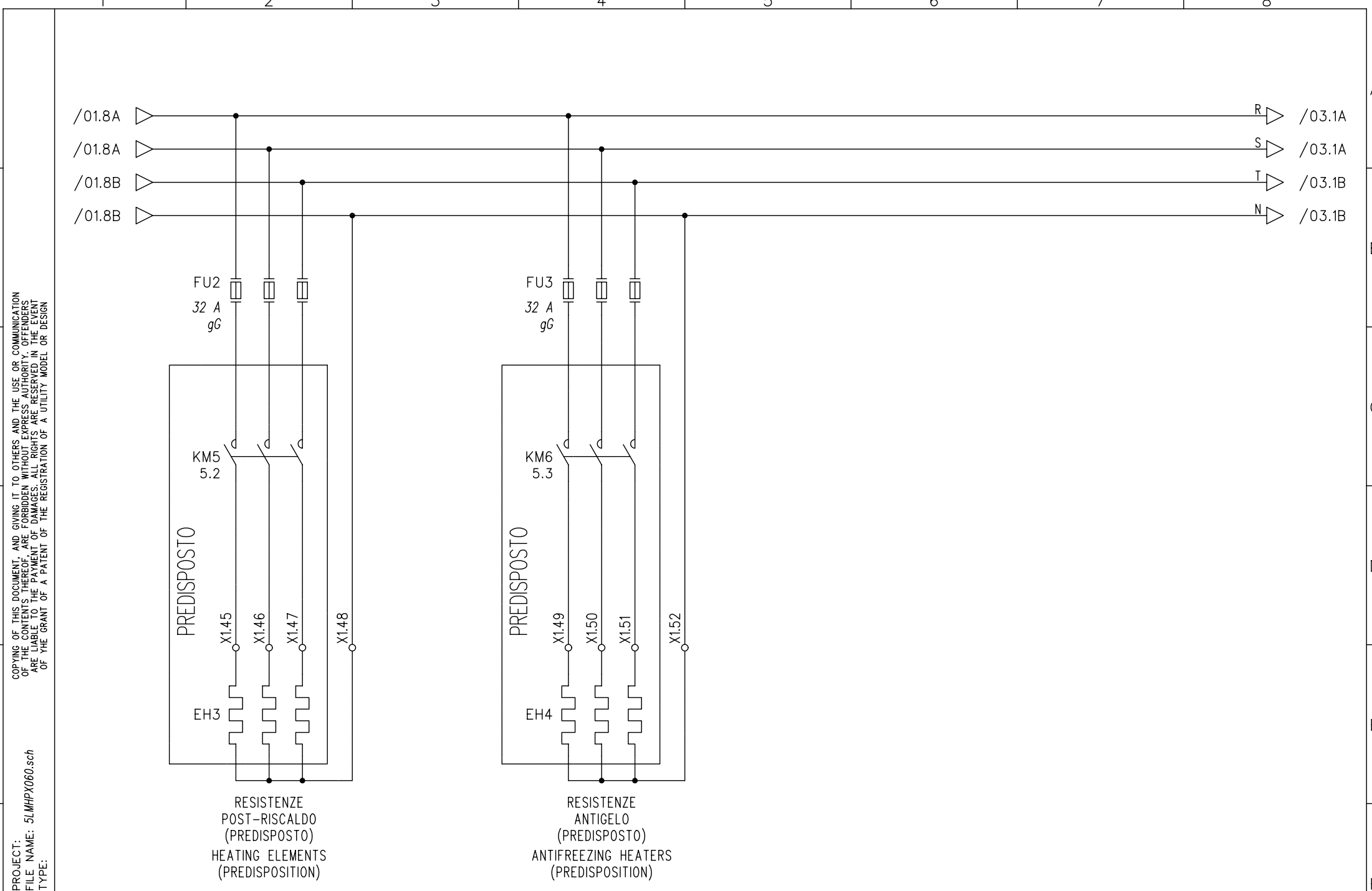
PROJECT: 5LMHPX060.sch
FILE NAME:
TYPE:

DATE	20/11/2006		
COMMISS.	TESTONI		
CHECKED BY			
APPROV.		SUBST.:	SUB. FOR:



5LMHPX060

-	5LMHPX060
+	
SHEET 1	
N.S. 2	T.F. 11



COPYING OF THIS DOCUMENT AND GIVING IT TO OTHERS AND THE USE OR COMMUNICATION OF THE CONTENTS THEREOF ARE FORBIDDEN WITHOUT EXPRESS AUTHORITY. OFFENDERS ARE LIABLE TO THE PAYMENT OF DAMAGES. ALL RIGHTS ARE RESERVED IN THE EVENT OF THE GRANT OF A PATENT OF THE REGISTRATION OF A UTILITY MODEL OR DESIGN.

PROJECT: 5LMHPX060.sch
 FILE NAME:
 TYPE:

DATE	26/10/2006
COMMISS.	Bonvicini
CHECKED BY	
APPROV.	

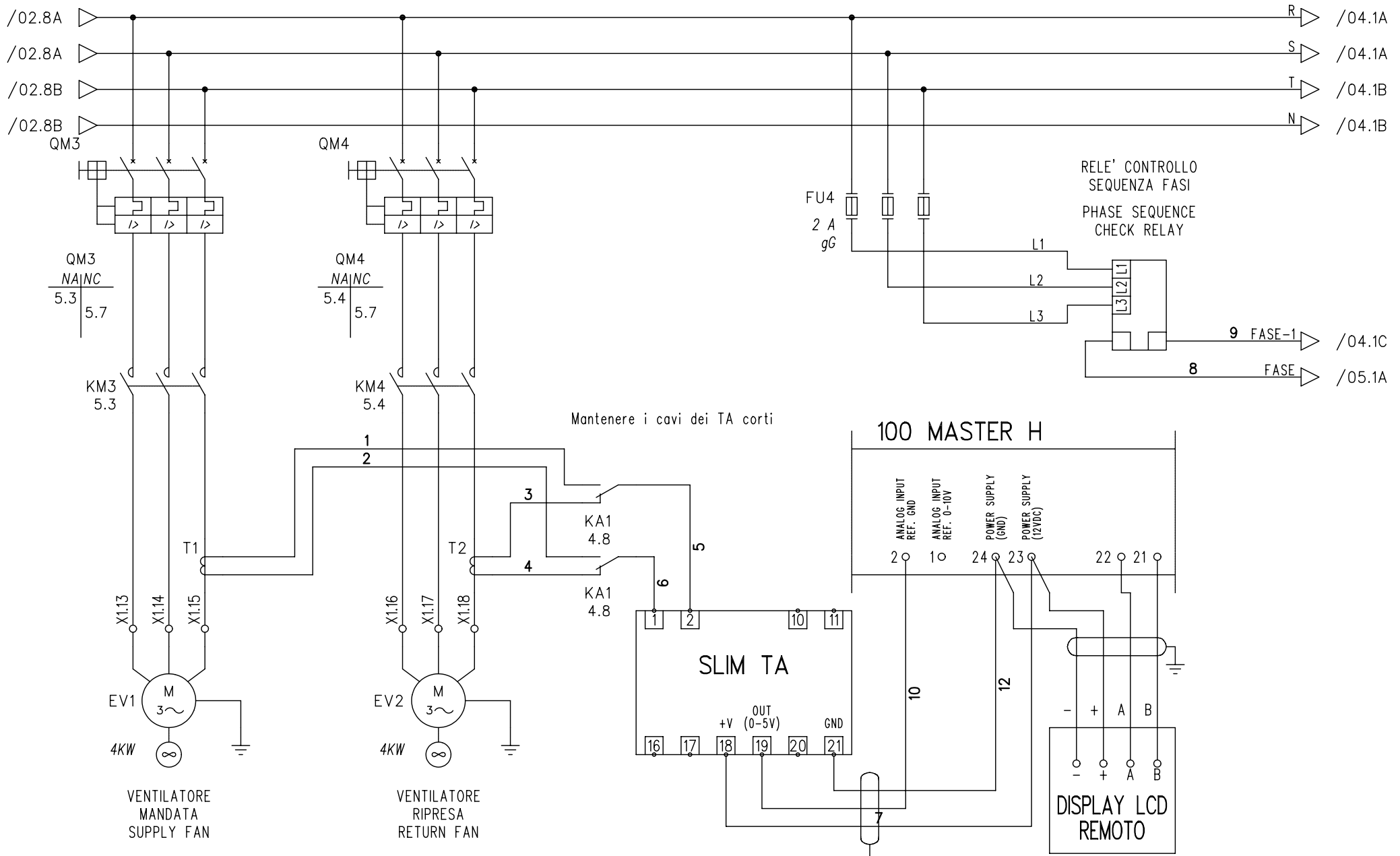


5LMHPX060

-	5LMHPX060
+	
SHEET 2	
N.S. 3	T.F. 11

COPYING OF THIS DOCUMENT AND GIVING IT TO OTHERS AND THE USE OR COMMUNICATION OF THE CONTENTS THEREOF ARE FORBIDDEN WITHOUT EXPRESS AUTHORITY. OFFENDERS ARE LIABLE TO THE PAYMENT OF DAMAGES. ALL RIGHTS ARE RESERVED IN THE EVENT OF THE GRANT OF A PATENT OF THE REGISTRATION OF A UTILITY MODEL OR DESIGN.

PROJECT: 5LMHPX060.sch
 FILE NAME:
 TYPE:



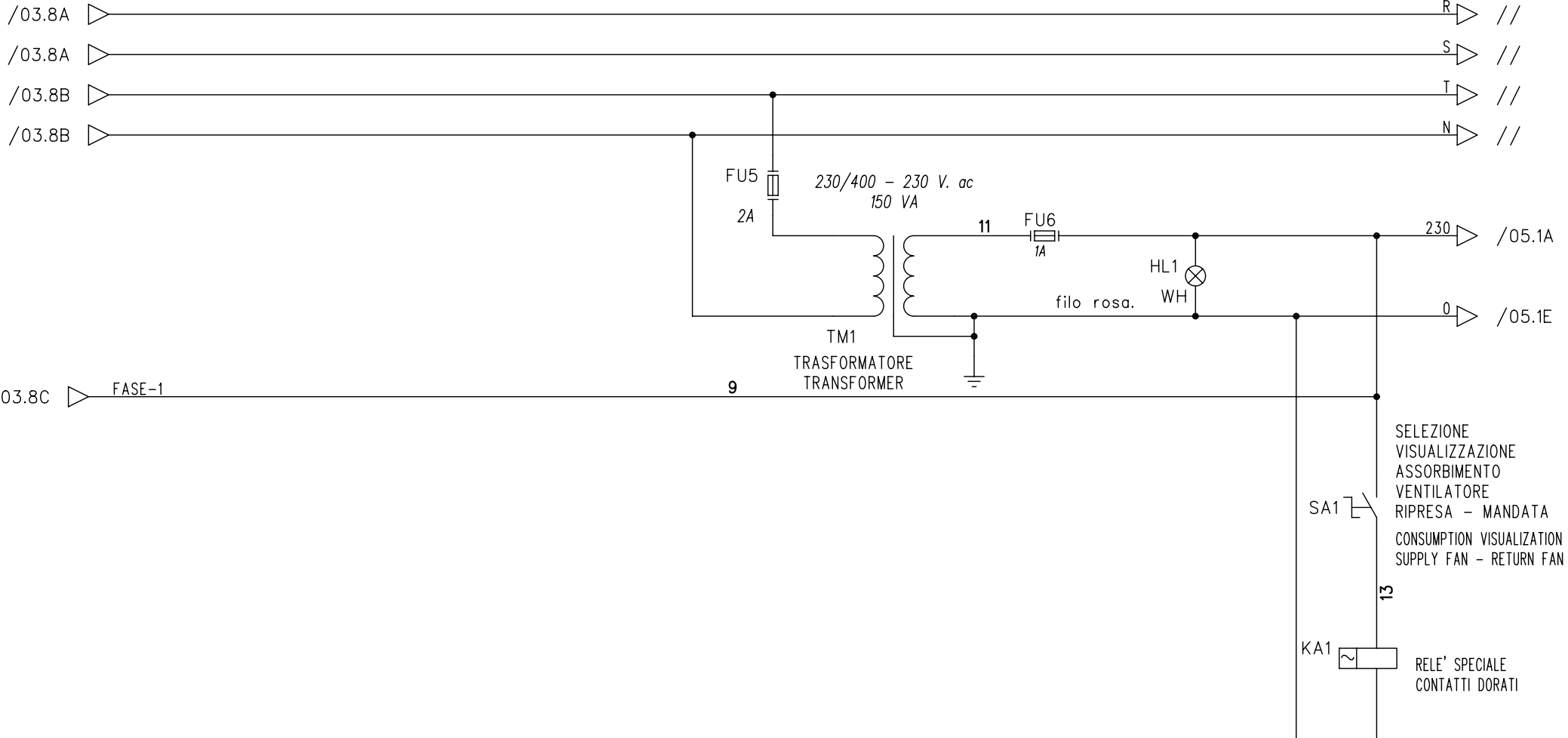
DATE	31/10/2006
COMMISS.	Bonvicini
CHECKED BY	
APPROV.	



5LMHPX060

= 5LMHPX060	
+	
SHEET 3	
N.S. 4	T.F. 11

PROJECT: 5LMHPX060.sch
 FILE NAME: 5LMHPX060.sch
 TYPE:
 COPYING OF THIS DOCUMENT AND GIVING IT TO OTHERS AND THE USE OR COMMUNICATION OF THE CONTENTS THEREOF ARE FORBIDDEN WITHOUT EXPRESS AUTHORITY. OFFENDERS ARE LIABLE TO THE PAYMENT OF DAMAGES. ALL RIGHTS ARE RESERVED IN THE EVENT OF THE GRANT OF A PATENT OF THE REGISTRATION OF A UTILITY MODEL OR DESIGN.



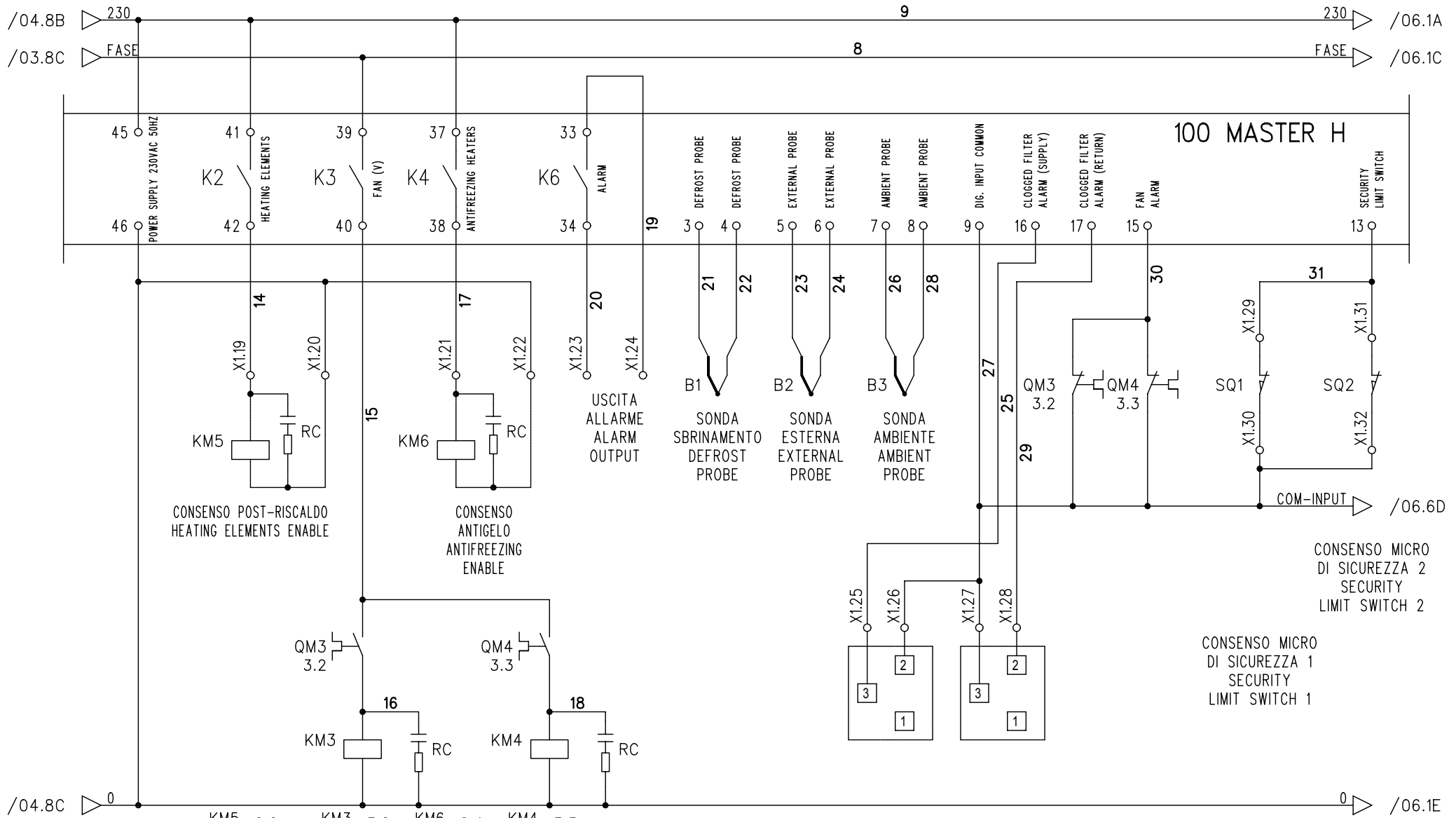
DATE	26/10/2006		
COMMISS.	Bonvicini		
CHECKED BY			
APPROV.		SUBST.:	SUB. FOR:



5LMHPX060

-	5LMHPX060
+	
	SHEET 4
	N.S. 5 T.F. 11

PROJECT: 5LMHPX060.sch
 FILE NAME: 5LMHPX060.sch
 TYPE:
 COPYING OF THIS DOCUMENT AND GIVING IT TO OTHERS AND THE USE OR COMMUNICATION OF THE CONTENTS THEREOF ARE FORBIDDEN WITHOUT EXPRESS AUTHORITY. OFFENDERS ARE LIABLE TO THE PAYMENT OF DAMAGES. ALL RIGHTS ARE RESERVED IN THE EVENT OF THE GRANT OF A PATENT OF THE REGISTRATION OF A UTILITY MODEL OR DESIGN.



DATE	26/10/2006
COMMISS.	Bonvicini
CHECKED BY	
APPROV.	

SUBST.: SUB. FOR:

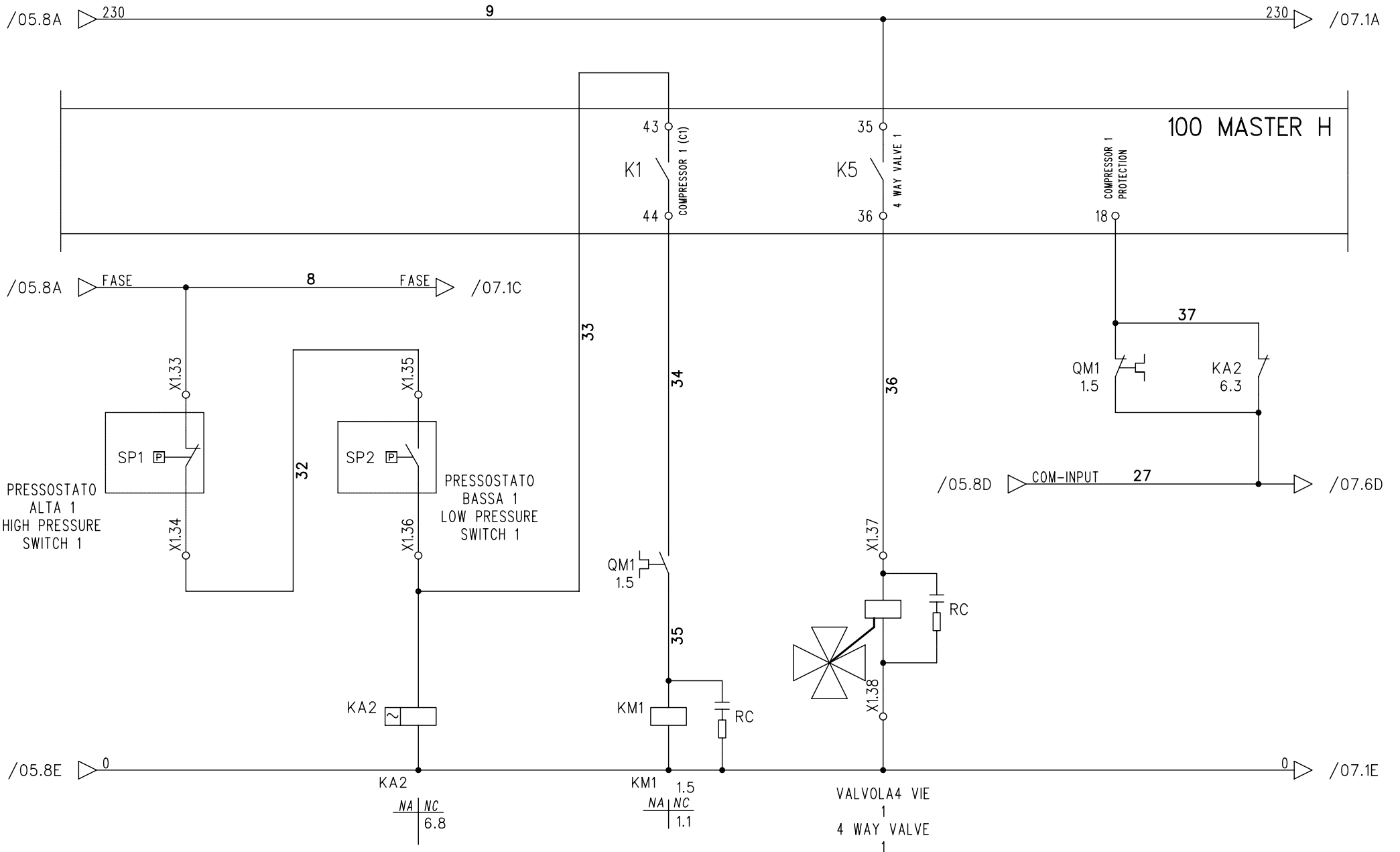


5LMHPX060

-	5LMHPX060
+	
SHEET 5	
N.S. 6	T.F. 11

COPYING OF THIS DOCUMENT AND GIVING IT TO OTHERS AND THE USE OR COMMUNICATION OF THE CONTENTS THEREOF ARE FORBIDDEN WITHOUT EXPRESS AUTHORITY. OFFENDERS ARE LIABLE TO THE PAYMENT OF DAMAGES. ALL RIGHTS ARE RESERVED IN THE EVENT OF THE GRANT OF A PATENT OF THE REGISTRATION OF A UTILITY MODEL OR DESIGN.

PROJECT: 5LMHPX060.sch
 FILE NAME:
 TYPE:



DATE	26/10/2006
COMMISS.	Bonvicini
CHECKED BY	
APPROV.	

SUBST.: SUB. FOR:

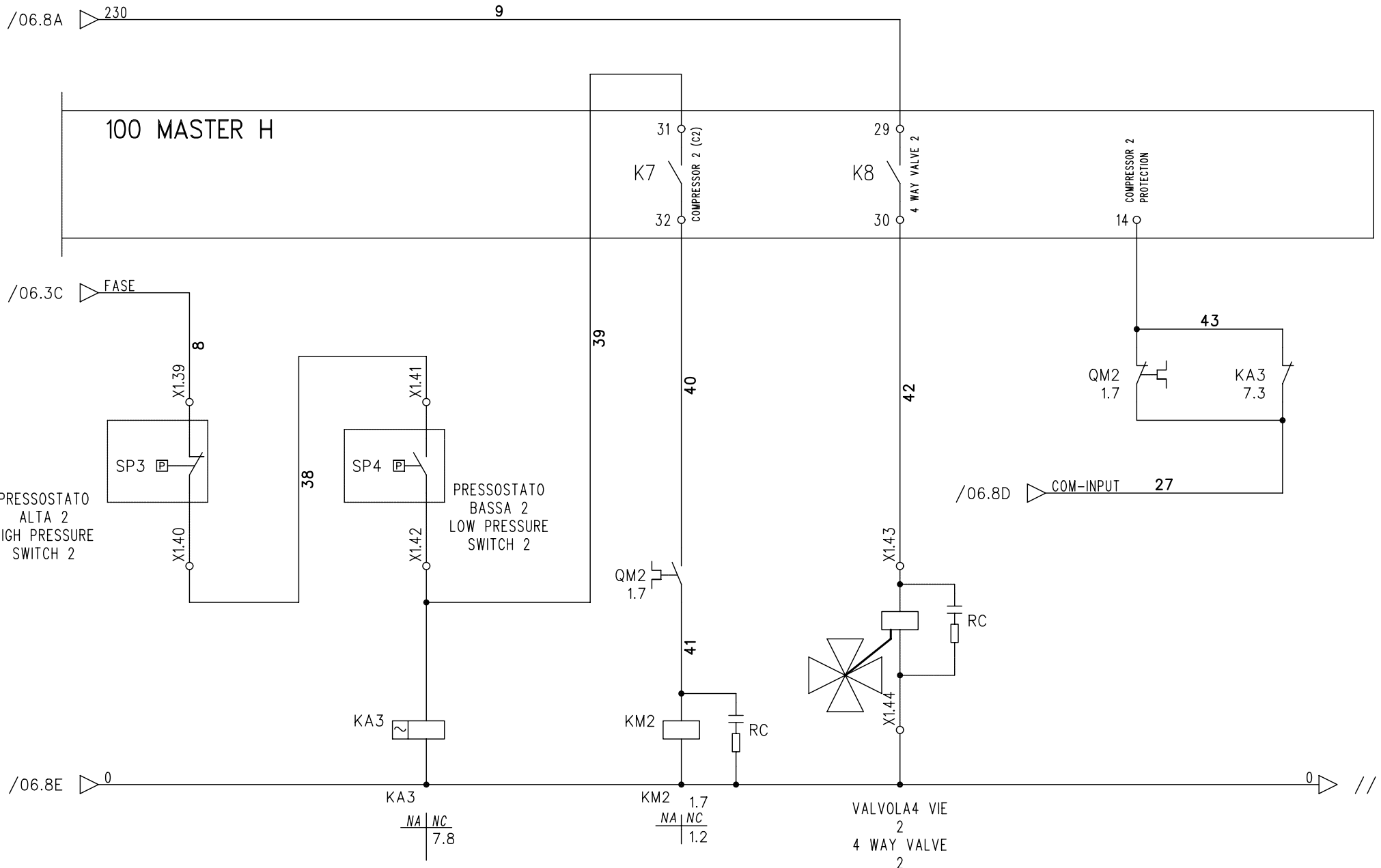


5LMHPX060

-	5LMHPX060
+	
SHEET 6	
N.S. 7	T.F. 11

COPYING OF THIS DOCUMENT AND GIVING IT TO OTHERS AND THE USE OR COMMUNICATION OF THE CONTENTS THEREOF ARE FORBIDDEN WITHOUT EXPRESS AUTHORITY. OFFENDERS ARE LIABLE TO THE PAYMENT OF DAMAGES. ALL RIGHTS ARE RESERVED IN THE EVENT OF THE GRANT OF A PATENT OF THE REGISTRATION OF A UTILITY MODEL OR DESIGN.

PROJECT: 5LMHPX060.sch
 FILE NAME:
 TYPE:



DATE	26/10/2006
COMMISS.	Bonvicini
CHECKED BY	
APPROV.	



5LMHPX060


-	5LMHPX060
+	
	SHEET 7
	N.S. 8 T.F. 11

TABELLA CODE CAVI

UTENZA	CAVO	LUNGHEZZA FUORI QUADRO ml.	NOTE	PRESSACAVO PASSO PG	
COMPRESSORE 1	4X2,5	2		13,5	left
COMPRESSORE 2	4X2,5	2		13,5	right
VENTILATORE MANDATA	4X1,5	2,5		11	left
VENTILATORE RIPRESA	4X1,5	2,5		11	right
PRESSOSTATO ALTA 1	.	.	Installato da LMF	9	left
PRESSOSTATO BASSA 1	.	.	Installato da LMF	9	left
PRESSOSTATO ALTA 2	.	.	Installato da LMF	9	right
PRESSOSTATO BASSA 2	.	.	Installato da LMF	9	right
RES. POST-RISCALDO (PREDISPOSTO)	.	.	Installato da LMF	13,5	
RES. ANTIGELO (PREDISPOSTO)	.	.	Installato da LMF	13,5	
ALIMENTAZIONE Q.E.	.	.	Installato da LMF	.	
SONDA ESTERNA	CAVO SONDA 3,0 ml.		CONTRASSEGNARE CON COLORE BLU	9	
SONDA AMBIENTE	CAVO SONDA 3,0 ml.		CONTRASSEGNARE CON COLORE ROSSO		
SONDA SBRINAMENTO	CAVO SONDA 3,0 ml.		NON CONTRASSEGNARE		

COPYING OF THIS DOCUMENT AND GIVING IT TO OTHERS AND THE USE OR COMMUNICATION OF THE CONTENTS THEREOF ARE FORBIDDEN WITHOUT EXPRESS AUTHORITY OFFENDERS ARE LIABLE TO THE PAYMENT OF DAMAGES. ALL RIGHTS ARE RESERVED IN THE EVENT OF THE GRANT OF A PATENT OF THE REGISTRATION OF A UTILITY MODEL OR DESIGN

PROJECT: 5LMHPX060.sch
 FILE NAME:
 TYPE:

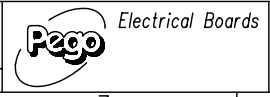
DATE	31/10/2006		5LMHPX060	-	5LMHPX060
COMMISS.	Bonvicini			+	
CHECKED BY					SHEET 8
APPROV.					N.S. X1-001 T.F. 11

NON E' PERMESSO CONSEGNARE A TERZI O RIPRODURRE QUESTO DOCUMENTO
 NE' UTILIZZARE IL CONTENUTO O RENDERSI COMUNQUE NOTO A TERZI SENZA LA NOSTRA
 AUTORIZZAZIONE ESPLICITA. OGNI INFRAZIONE COMPORTE IL RISARCIMENTO DEI DANNI
 SUBITI. E' FATTA RISERVA DI TUTTI I DIRITTI DERIVANTI DA BREVETTI O MODELLI

PROGETTO: 5LMHPX060.sch
 NOME FILE:
 TIPOCO:

DATA 26/10/2006
 DISEGN. Bonvicini
 CONTR.

RIEPILOGO MORSETTI
 TERMINAL BOARD SUMMARY



5LMHPX060

- 5LMHPX060
 +
 FOGLIO X1-001
 F.S. X1-002 | T.F. 11

X1

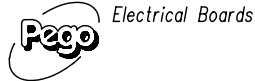
1	1.1	EH1	RESISTENZA CARTER 1	1.1
2	1.1	EH1	CARTER RESISTOR 1	1.1
3	1.2	EH2	RESISTENZA CARTER 2	1.2
4	1.2	EH2	CARTER RESISTOR 2	1.2
5	1.3	M1	SERRANDA MOTORIZZATA	1.3
6	1.3	M1	MOTORIZED SHUTTER	1.3
7	1.5	M2	MOTORIZE SHUTTER	1.5
8	1.5	M2	MOTOCOMPRESSORE 1	1.5
9	1.6	M2	MOTOCOMPRESSORE 1	1.6
10	1.7	M3	MOTOCOMPRESSORE 2	1.7
11	1.7	M3	MOTOCOMPRESSORE 2	1.7
12	1.7	M3	MOTOCOMPRESSORE 2	1.7
13	3.2	EV1	VENTILATORE MANDATA	3.2
14	3.2	EV1	SUPPLY FAN	3.2
15	3.2	EV1	VENTILATORE MANDATA	3.2
16	3.3	EV2	SUPPLY FAN	3.3
17	3.3	EV2	VENTILATORE RIPRESA	3.3
18	3.3	EV2	RETURN FAN	3.3
19	5.2	KM5	CONSENSO POST-RISCALDO	5.2
20	5.3	KM5	HEATING ELEMENTS ENABLE	5.3
21	5.3	KM6	CONSENSO ANTIGELO	5.3
22	5.4	KM6	ANTIFREEZING ENABLE	5.4
23	5.4		CONSENSO ANTIGELO	5.4
24	5.4		ANTIFREEZING ENABLE	5.4
25	5.5		USCITA ALLARME	5.4
26	5.6	X1.27	ALARM OUTPUT	5.4
27	5.6	X1.26	ALLARME POST MANDATA	5.5
28	5.6	X1.26	SUPPLY PSTD ALARM	5.5
29	5.8	S01	ALLARME POST MANDATA	5.6
30	5.8	S01	SUPPLY PSTD ALARM	5.6
			RETURN PSTD ALARM	5.6
			ALLARME POST RIPRESA	5.6
			RETURN PSTD ALARM	5.6
			CONSENSO MICRO DI SICUREZZA 1	5.8
			SECURITY LIMIT SWITCH 1	5.8
			CONSENSO MICRO DI SICUREZZA 1	5.8
			SECURITY LIMIT SWITCH 1	5.8

SOST. IL: SOST. DA:

PROGETTO: 5LMHPX060.sch
 NOME FILE: 5LMHPX060.sch
 TIPO: TYPICAL

DATA: 26/10/2006
 DISEGN.: Bonvicini
 CONTR.:

RIEPILOGO MORSETTI
 TERMINAL BOARD SUMMARY



5LMHPX060

= 5LMHPX060
 +
 FOGLIO X1-002
 F.S. T.F. 11

X1

31	5.8	CONSENSO MICRO DI SICUREZZA 2	SQ2
		SECURITY LIMIT SWITCH 2	
32	5.8	CONSENSO MICRO DI SICUREZZA 2	SQ2
		SECURITY LIMIT SWITCH 2	
33	6.2	PRESSOSTATO ALTA 1	SP1
		HIGH PRESSURE SWITCH 1	
34	6.2	PRESSOSTATO ALTA 1	SP1
		HIGH PRESSURE SWITCH 1	
35	6.3	PRESSOSTATO BASSA 1	SP2
		LOW PRESSURE SWITCH 1	
36	6.3	PRESSOSTATO BASSA 1	SP2
		LOW PRESSURE SWITCH 1	
37	6.6	VALVOLA 4 VIE 1	
		4 WAY VALVE 1	
38	6.6	VALVOLA 4 VIE 1	
		4 WAY VALVE 1	
39	7.2	PRESSOSTATO ALTA 2	SP3
		HIGH PRESSURE SWITCH 2	
40	7.2	PRESSOSTATO ALTA 2	SP3
		HIGH PRESSURE SWITCH 2	
41	7.3	PRESSOSTATO BASSA 2	SP4
		LOW PRESSURE SWITCH 2	
42	7.3	PRESSOSTATO BASSA 2	SP4
		LOW PRESSURE SWITCH 2	
43	7.6	VALVOLA 4 VIE 2	
		4 WAY VALVE 2	
44	7.6	VALVOLA 4 VIE 2	
		4 WAY VALVE 2	
45	2.2	RESISTENZE POST-RISCALDO (PREDISPOSTO)	EH3
		HEATING ELEMENTS (PREDISPOSITION)	
46	2.2	RESISTENZE POST-RISCALDO (PREDISPOSTO)	EH3
		HEATING ELEMENTS (PREDISPOSITION)	
47	2.2	RESISTENZE POST-RISCALDO (PREDISPOSTO)	EH3
		HEATING ELEMENTS (PREDISPOSITION)	
48	2.3	RESISTENZE POST-RISCALDO (PREDISPOSTO)	EH3
		HEATING ELEMENTS (PREDISPOSITION)	
49	2.4	RESISTENZE ANTIGELO (PREDISPOSTO)	EH4
		ANTIFREEZING HEATERS (PREDISPOSITION)	
50	2.4	RESISTENZE ANTIGELO (PREDISPOSTO)	EH4
		ANTIFREEZING HEATERS (PREDISPOSITION)	
51	2.4	RESISTENZE ANTIGELO (PREDISPOSTO)	EH4
		ANTIFREEZING HEATERS (PREDISPOSITION)	
52	2.5	RESISTENZE ANTIGELO (PREDISPOSTO)	EH4
		ANTIFREEZING HEATERS (PREDISPOSITION)	