



HOME ABOUT US WHAT'S NEW **OUR PRODUCTS** SHARING OUR KNOWLEDGE BUYING PRODUCTS CONTACT US HELP

Commercial Ventilation

T-Series Panel/Ceiling Models



Description

T-Series panel/ceiling models are suitable for mounting at any angle in internal partitions, ceilings, ducts and, with louvred grilles, through external walls. When installed only the louvred grille is visible. The range features a

About this product

-  **fitting and wiring diagrams**
-  **installation notes**
-  **where can I buy this product from?**

Information

- ▶ **Description**
- ▶ **Performance**
- ▶ **Dimensions**
- ▶ **Typical Specification**

At a Glance...

Extract/intake model in 4 sizes:
Size 6, 7, 9 and 12.

Colour: Soft tone grey.

Patented electronic shutter system ensures quiet trouble free operation.

Designed to comply with International safety standards.

ONLINE SHOPPING:
Products for your Home

Vent-Axia Industrial Ventilation

Commercial Ventilation

Commercial Air Curtains

Roof Units Industrial Products

Domestic Ventilation

Air Conditioning

Clean Air Systems (Heat Recovery)

Cooling Products

Heating Products

Hygiene Products

Sensors / Controllers & Accessories

Product Overview

Product Brochures

unique speed control pack which enables high, medium or low speed to be preset to suit a specific room size or required duty.

Product Specifications

T-Series controllers may be used with this model to obtain a choice of speeds, reversible airflow direction and automatic sensor operation. When used with a controller, the speed control pack is removed from the T-Series ventilating unit and fitted into the 3-pin socket in the back of the controller. The Vent-Axia Ecotronic controller gives even greater running economy with its minimum speed setting on 'E' mode and infinitely variable speed control. For this controller the speed control pack remains in the fan.

 [back to top](#)

Shutter

With energy saving in mind TX models are supplied complete with an integral instantaneous automatic louvre shutter concealed behind the interior grille. It will operate on both intake and extract and at any angle of mounting.

The shutter is electronically controlled by an actuator with a damped action giving quiet instant operation during instant opening and closing. The interlocking edges of the shutter blades provide maximum backdraught protection.

When the ventilating unit is used with a T-Series controller, the shutter can be set open with the fan motor switched Off to provide natural ventilation without the security risk of an open window.

TL models do not have a shutter. They are suitable for certain ducted applications, room to room systems and where there is a need for ventilation of specialised equipment. The TL model will also provide natural ventilation where required when the unit is switched Off.

 [back to top](#)

Electrical

Suitable for operation in ambient temperatures from -40°C to +50°C.

For the very best from your fan use the Ecotronic controller.

FAQ's Answered

Instant shutter operation.

Suitable for vertical and horizontal applications.

A choice of one of three fixed speeds available without controllers.

T-Series controllers require 5 core cable.

Fitted with self resetting Standard Thermal Overload Protection (S.T.O.P).

Supply voltage:
220-240V/1/50Hz (120V/1/60 Hz).

 [back to top](#)

Easy Cleaning

Integrated component design allows all parts to be dismantled for cleaning without the use of specialist tools.

 [back to top](#)

Controllers and Sensors



T-Series Controller

- Three speeds. Choice of extract/intake
- Shutter open, fan Off setting
- Sensor mode. Enables external electro mechanical switches, eg: Ecotronic, HumidiSwitch, ThermoSwitch and TimeSwitch to control the fan.



Ecotronic 130 Controller

All the features of T-Series:-

- Infinitely variable speed control
- 'E' position for energy saving
- Minimum speed adjustment.



Ecotronic 400 Controller

For groups of units of any one size up to a total of 400 watts. Do not mix T-Series with Standard Range ventilating units on one controller.

Ambient Response Humidity Sensor



Self programming electronic On/Off wall mounted humidity sensor which reacts to any rapid increase in humidity and temperature. Night time RH increment setback feature.



Air quality sensor

Automatically reacts to the depletion of air quality, sensing tobacco smoke, smells and toilet odours to regulate mechanically ventilated areas.



Ecotronic Humidity Sensor

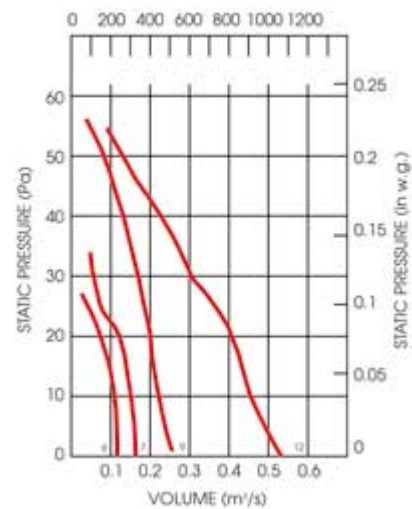
The Ecotronic Humidity Sensor is an adjustable set point, solid state controller. A pullcord provides manual override, indicated by lamp. Adjustable from 65% to 90%RH. Ecotronic includes a relay and can be used with T-Series controller sensor mode.

[Click here for full details of controllers and sensors](#)

[▲ back to top](#)

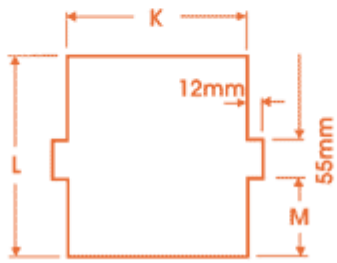
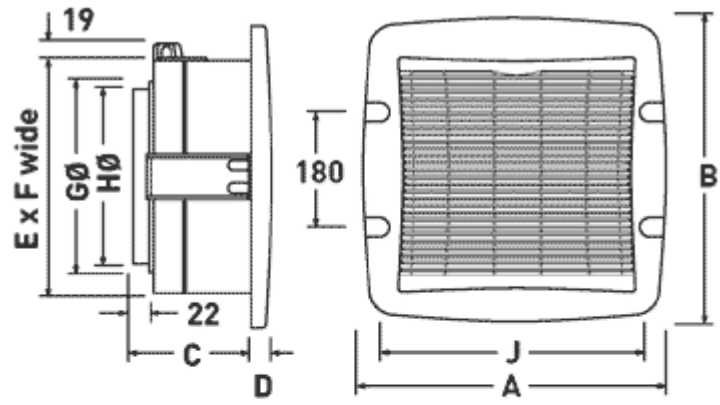
Performance

Output is for the extract airflow on HIGH.



[▲ back to top](#)

Dimensions (mm)



Fixing hole

Size	6 (150mm)	7 (190mm)	9 (230mm)	12 (300mm)
A	310	352	391	470
B	303	345	388	467
C	117	117	129	152
D	32	32	39	41
E	220	258	302	378
F	226	265	304	381
GØ	180	218	255	334
HØ	171	210	247	325
J	267	306	345	422
K	231	270	309	386
L	244	282	326	402
M	85	104	126	164

Weight (kg)	3.50	3.82	5.13	7.44
--------------------	------	------	------	------

 [back to top](#)

Technical Data

Unit size		6	
Type		TX6PL	TL6PL
Stock Ref. No.		W16 16 10	W26 16 10
Amps @ 240V		0.24	0.21
Extract Performance m³/h	Low	295	
	Med	380	
	High	435	
Watts (high)		45	40
dB(A) (med) @ 3m		41	
Shutter (TX only)		Instant	
	T-Series Type TSC	W36 11 19	
Surface Controllers	Ecotronic 130	W30 01 20	
	Ecotronic 400	W36 23 20	
	Time Switch TTC	W36 13 10	
Unit size		7	
Type		TX7PL	TL7PL
Stock Ref. No.		W16 26 10	W26 26 10
Amps @ 240V		0.24	0.21
Extract Performance m³/h	Low	365	
	Med	480	
	High	585	
Watts (high)		46	41
dB(A) (med) @ 3m		37	
Shutter (TX only)		Instant	
	T-Series Type TSC	W36 11 19	
Surface Controllers	Ecotronic 130	W30 01 20	

	Ecotronic 400	W36 23 20	
	Time Switch TTC	W36 13 10	
Unit size		9	
Type		TX9PL	TL9PL
Stock Ref. No.		W16 36 10	W26 36 10
Amps @ 240V		0.42	0.39
Extract Performance m³/h	Low	565	
	Med	830	
	High	960	
Watts (high)		80	75
dB(A) (med) @ 3m		43	
Shutter (TX only)		Instant	
	T-Series Type TSC	W36 11 19	
Surface Controllers	Ecotronic 130	W30 01 20	
	Ecotronic 400	W36 23 20	
	Time Switch TTC	W36 13 10	
Unit size		12	
Type		TX12PL	TL12PL
Stock Ref. No.		W16 46 10	W26 46 10
Amps @ 240V		0.51	0.48
Extract Performance m³/h	Low	1270	
	Med	1640	
	High	1885	
Watts (high)		105	100
dB(A) (med) @ 3m		44	
Shutter (TX only)		Instant	
	T-Series Type TSC	W36 11 19	
Surface Controllers	Ecotronic 130	W30 01 20	
	Ecotronic 400	W36 23 20	
	Time Switch TTC	W36 13 10	

Flush box **Stock Ref. No. 40 01 44**



Typical Specification

Supply and install a T-Series Panel/Ceiling fan as manufactured by Vent-Axia Ltd, Fleming Way, Crawley, West Sussex, RH10 9YX Telephone: 01293526062.

The fan should be suitable for installation at any angle in partitions, ceilings and ducts. The unit should flush mounting so that only the louvered grille is visible when installed.

The fan should have a speed control pack which enables high, medium and low speed to be set to suit room size or required duty.

The fan should be fully reversible and be able to be controlled by using variable speed controller or by humidity, air quality or PIR sensors.

The fan should incorporate an electronically controlled instantaneous shutter mechanism that has a facility to be in an open state without the fan running for passive ventilation.

The unit should meet with Document F of the Building Regulations and be BEAB approved.

The motor should be suitable to run at any angle and suitable for operation in ambient temperatures from -40°C to +50°C. and should be fitted with self resetting Standard Thermal Overload Protection (S.T.O.P.).

Patented Shutter Actuator System
European Patent Number EP 0177215

Patented Remote Speed Control Circuit
European Patent Number EP 0180311.

