

# New Vent-Axia T-Series®

## Roof Models



### Features and Benefits

- > Extract/intake model in 4 sizes: Size 6, 7, 9, and 12.
- > Patented electronic shutter system ensures quiet, trouble free operation.
- > Designed to comply with International safety standards.
- > For the very best from your fan use the Ecotronic controller.
- > T-Series controllers and sensor save energy by only switching on the units when you want them to, either manually or automatically.
- > **New** easy fit connector Top Socket, standard on all models.

## UK's No. 1 Commercial fan

Designing ventilation systems with the fan mounted in a skylight or a flat roof is easy with T-Series Roof models and ventilation accessories. With a low profile cowl, the T-Series Roof model is suitable for installation in horizontal, angled and vertical glass and for fixing plates in roofs. For vertical windows or walls in exposed areas and single or double glazing including most types of glass up to 32mm thick. Greater thicknesses can be accommodated using extended fixing rod sets. All four sizes of Vent-Axia roof plate assemblies can be fitted easily into flat roofs.

T-Series features a unique speed control pack which enables high, medium or low speed to be preset to suit room size or required duty.



When used with a T-Series TSC controller, the speed control pack is removed from the T-Series ventilating unit and fitted into the 3-pin socket in the back of the controller. The Vent-Axia Ecotronic controller gives even greater running economy with its minimum speed setting and 'E' mode. When using the Ecotronic controller the speed control pack remains in the fan.

### New Top Socket

A revolutionary **new** connector Top Socket is now standard on all T-Series fans. This unique system allows for fast and trouble-free mains connection. Just wire it up, then slide and clip into place. This covers all models and sizes including the LoWatt T-Series range.

### Shutter

With energy saving in mind TX models are supplied complete with an integral instantaneous automatic louvre shutter concealed behind the interior grille. It will operate on both intake and extract and at any angle of mounting.

The shutter is electronically controlled by an actuator with a damped action giving quiet operation during instant opening and closing. The interlocking edges of the shutter blades provide maximum backdraught protection.

When the ventilating unit is used with a T-Series controller, the shutter can be set open with the fan motor switched Off to provide natural ventilation without the security risk of an open window.

TL models do not have a shutter. They are suitable for systems where no shutter is required or in a ducted system where the shutter is located elsewhere.

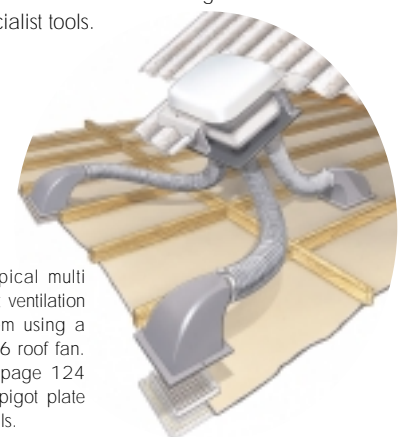
### Electrical

Motor purpose-designed. Suitable for running at any angle. Quiet running, enclosed. Suitable for operation in ambient temperatures from -40°C to +50°C.

Fitted with self resetting Standard Thermal Overload Protection (S.T.O.P.). Supply voltage 220-240V/1/50 Hz (120V/1/60 Hz).

### Easy Cleaning

Integrated component design allows all parts to be dismantled for cleaning without the use of specialist tools.



A typical multi point ventilation system using a size 6 roof fan. See page 124 for spigot plate details.

Patented Shutter Actuator System  
European Patent Number EP 0177215 and  
Patented Remote Speed Control Circuit  
European Patent Number EP 0180311.

### FAQ's Answered

All models can be used for extract and intake.

Suitable for glazing or using roof plates.

Can be connected directly to Vent-Axia ductwork using a direct mount spigot.

A range of compatible soaker flanges is available.

On non-glass installations suitable sealing compound should be used.

**Vent-Axia**

## Typical Specification

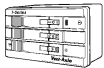
Supply and install a T-Series roof fan as manufactured by Vent-Axia Ltd, Fleming Way, Crawley, West Sussex, RH10 9YX, Telephone 01293 526062.

The fan should be suitable for installation in horizontal, angled and vertical glass and for fixing plates in roofs. For vertical glass in exposed areas, and suitable for any types of glass up to 32mm thick. The unit should have the options of fixing rod sets for greater thickness. The fan should have a speed control pack which enables high, medium and low speed to be set to suit room size or required duty. The fan should be fully reversible and be able to be controlled by using variable speed controller or by humidity, air quality or PIR sensors. The fan should incorporate an electronically controlled instantaneous shutter mechanism that has a facility to be in an open state without the fan running for passive ventilation.

The unit should meet with Document F of the Building Regulations and be BEAB approved.

The motor should be suitable to run at any angle and suitable for operation in ambient temperatures from -40°C to +50°C. and should be fitted with self resetting Standard Thermal Overload Protection (S.T.O.P.).

## Controllers



**T-Series Controller** - Three speeds, choice of extract/intake, shutter open, fan 'Off' setting, sensor mode. Enables external electro mechanical switches, eg: Ecotronic, HumidiSwitch, ThermoSwitch and TimeSwitch to control the fan.



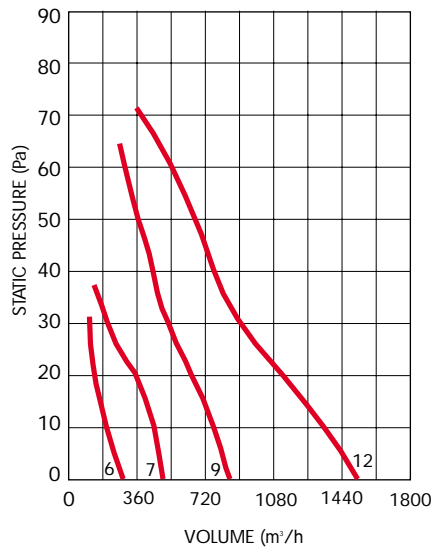
**Ecotronic 130 Controller** - All the features of T-Series including infinitely variable speed control, 'E' position for energy saving and minimum speed adjustment.



**Ecotronic 400 Controller** - For groups of units of any one size up to a total of 400 watts. Do not mix T-Series with Standard Range ventilating units on one controller.

## Performance

Output is for extract airflow on HIGH.



## Sensors



### Ambient Response Humidity Sensor

Self programming electronic On/Off wall mounted humidity sensor which reacts to any rapid increase in humidity and temperature. Night time RH increment setback feature.



### Air Quality Sensor

Automatically reacts to the depletion of air quality, sensing tobacco smoke, smells and toilet odours to regulate mechanically ventilated areas.



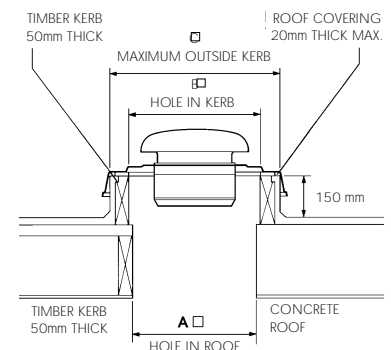
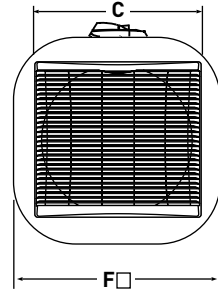
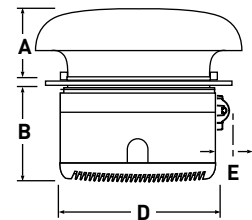
### Ecotronic Humidity Sensor

The Ecotronic Humidity Sensor is an adjustable set point, solid state controller. A pullcord provides manual override, indicated by lamp. Adjustable from 65% to 90%RH. Ecotronic includes a relay and can be used with T-Series controller sensor mode.

For full details of sensors and controllers see pages 120-121.

## Dimensions (mm)

Size	6	7	9	12
Impeller dia.	150mm	190mm	230mm	300mm
Dim.	mm	mm	mm	mm
A	100	136	136	171
B	130	130	150	177
C	226	265	304	381
D	220	258	302	378
E	54	54	54	54
F □	400	400	400	400
Fixing hole dia.	184	222	260	337
Weight	3.96kg	4.89kg	6.22kg	9.28kg



Size	A □	B □	C □
6	300 mm	335 mm	475 mm
7	300 mm	335 mm	475 mm
9	450 mm	490 mm	630 mm
12	450 mm	490 mm	630 mm

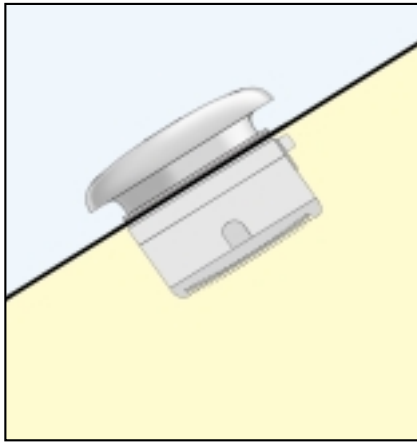
For wiring diagrams see page 232 and 233.

Unit size	Type	Stock Ref. No. (240V)	Amps @ 240V	Extract performance			Watts (high)	dB(A) (med) @ 3m	Shutter (TX only)	T-Series Type TSC	Surface Controllers		
				LOW m³/h	MEDIUM m³/h	HIGH m³/h					Ecotronic 130	Ecotronic 400	Time Switch TTC
6	TX6RF	W16 12 10A	0.24	195	250	290	30	41	Instant	W36 11 19	W30 01 20	W36 23 20	W36 13 10
	TL6RF	W26 12 10A	0.21										
7	TX7RF	W16 22 10A	0.24	305	395	485	40	37	Instant	W36 11 19	W30 01 20	W36 23 20	W36 13 10
	TL7RF	W26 22 10A	0.21										
9	TX9RF	W16 32 10A	0.42	465	685	795	85	43	Instant	W36 11 19	W30 01 20	W36 23 20	W36 13 10
	TL9RF	W26 32 10A	0.39										
12	TX12RF	W16 42 10A	0.51	1010	1305	1485	100	47	Instant	W36 11 19	W30 01 20	W36 23 20	W36 13 10
	TL12RF	W26 42 10A	0.48										

Flush box Stock Ref. No. 40 01 44

# New Vent-Axia T-Series®

## Roof Installations



### Roof Light

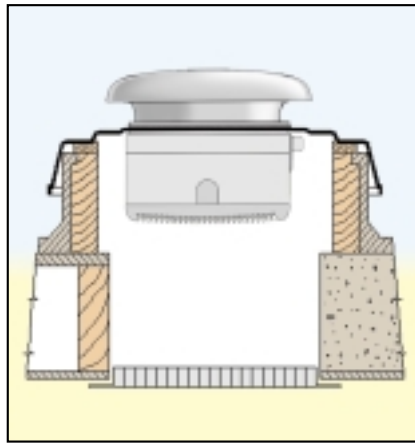
All T-Series Roof models are designed to fit directly into horizontal and sloping glass including wired cast and sealed double glazing up to 32mm thick. For materials of greater thicknesses extended fixing rod sets are available, allowing the unit to be fixed through a spacing of up to 370mm.

Rod thread: 3.5 mm.

Maximum fixing thickness: 370mm.

Details of:

Extended fixing rod sets, page 124.



### Flat Roof

All T-Series Roof models may be installed through solid roofs using a roof plate assembly and, if required, an eggcrate grille or louvred grille in the ceiling below. Alternatively, if ventilation is from a suspended ceiling, single spigots and flexible ducting may be used to connect the unit and extract grille.

Roof plate assemblies are manufactured in high impact thermoplastic. A suitable sealing compound should be used between the plate and exterior unit seal.

Details of:

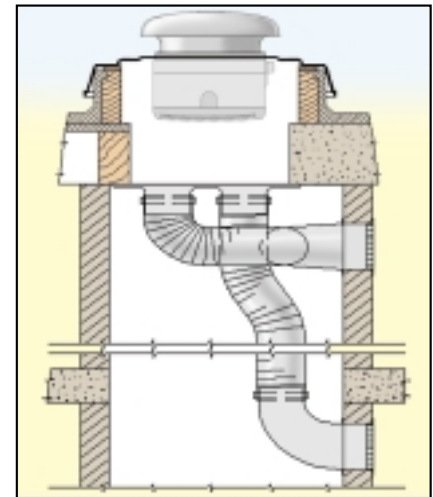
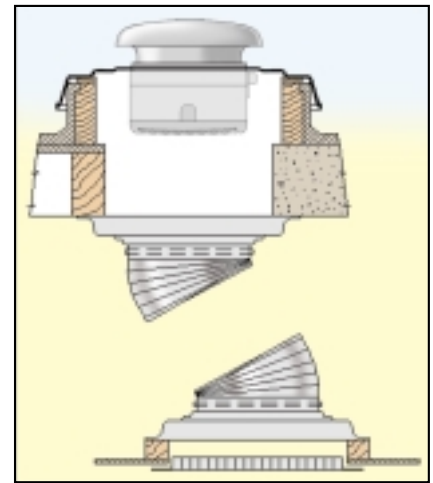
Roof plate assembly, page 181.

Eggcrate grille, page 177.

Single spigot, page 124.

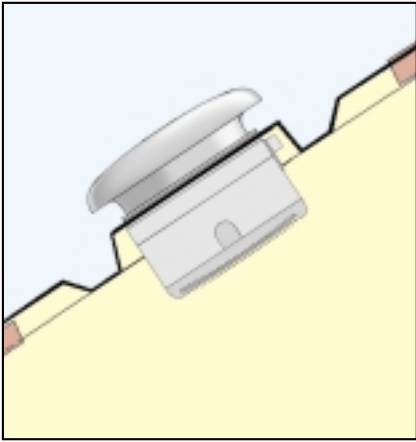
Flexible ducting, page 172.

Worm drive clip, page 180.



Unit size	T-Series extended fixing rod set	
	No. of rods	Stock Ref. No.
Size 6	4	56 81 04
Size 7	4	56 81 04
Size 9	4	56 81 04
Size 12	6	56 81 06

Unit size	T-Series roof plate assembly	
	Stock Ref. No.	
Size 6	56 01 36	
Size 7	56 01 37	
Size 9	56 01 39	
Size 12	56 01 42	



### Corrugated Roof

All T-Series Roof models are suitable for fixing through corrugated sloped and vertical cladding using a suitable soaker flange. The soaker flange consists of a replacement sheet with a flat section to carry the unit.

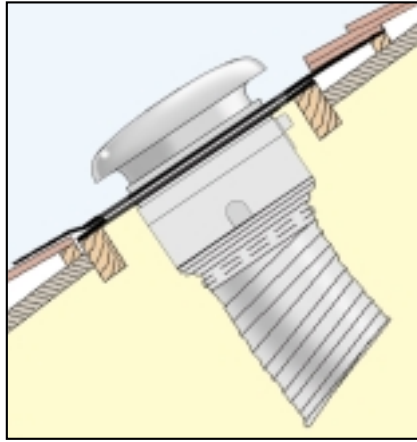
A suitable sealing compound should be used between the plate and the exterior unit seal.

Details of:  
Soaker flanges, page 181.

When ordering please specify profile required and size and type of fan to be used.

Examples of Vent-Axia soaker flanges	
Profile	Colour
Standard 3	Goosewing Grey
Big 6	Goosewing Grey
Atlas Major Tile	Goosewing Grey
Monad	Goosewing Grey
Double 6M	Goosewing Grey
Moduclad A1000	Goosewing Grey
Trafford Tile	Goosewing Grey
R34	Goosewing Grey
R38	Goosewing Grey

Other profiles are available

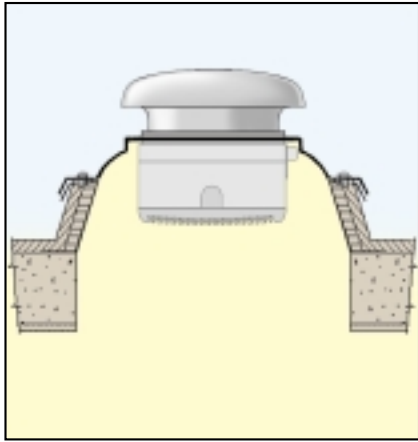


### Pitched Roof

All T-Series Roof models may be installed in fixing plates with zinc or lead weathering apron (provided by others), fitted directly to a tiled or slated roof to provide a water-tight installation. **A suitable sealing compound should be used between the weathering apron and the exterior unit seal.**

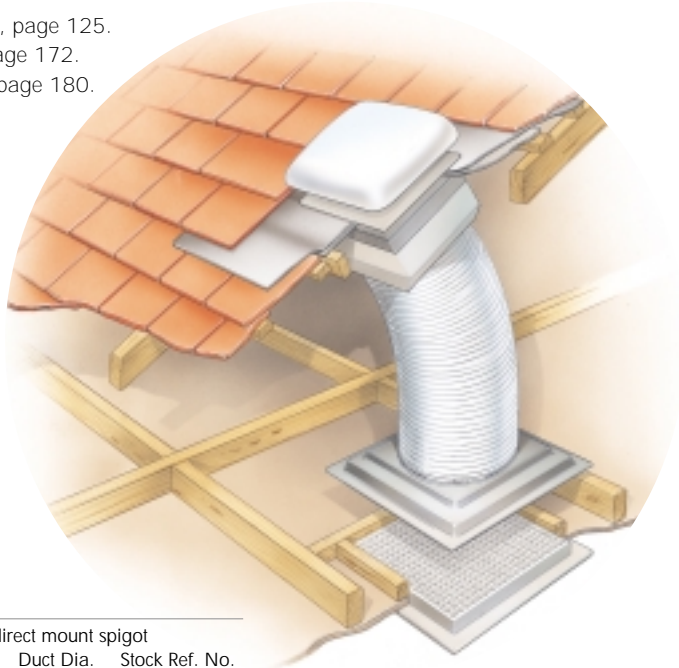
The illustration shows a T-Series Roof model fitted with a direct mount spigot and flexible ducting.

Details of:  
Direct mount spigot, page 125.  
Flexible ducting, page 172.  
Worm drive clips, page 180.



### Perspex Rooflight

All T-Series Roof models may be fitted into perspex domes available with a flat section moulded in the top for this purpose. A suitable sealing compound should be used between the dome and the exterior unit seal.



Ducted roof installation

Unit size	T-Series direct mount spigot		
	Model	Duct Dia.	Stock Ref. No.
Size 6	Roof	175 mm	56 05 01
Size 7	Roof	225 mm	56 05 02
Size 9	Roof	300 mm	56 05 03
Size 12	Roof	400mm	56 05 05

\* Ask for relevant technical drawing, or where available, larger scale drawing.