



HOME ABOUT US WHAT'S NEW **OUR PRODUCTS** SHARING OUR KNOWLEDGE BUYING PRODUCTS CONTACT US HELP

Commercial Ventilation

ONLINE SHOPPING:
Products for your
Home

Vent-Axia Industrial
Ventilation

Commercial Ventilation

Commercial Air
Curtains

Roof Units Industrial
Products

Domestic Ventilation

Air Conditioning

Clean Air Systems
(Heat Recovery)

Cooling Products

Heating Products

Hygiene Products

Sensors / Controllers &
Accessories

Product Overview

LoWatt T-Series Roof Model



Description

Designing ventilation systems with the fan mounted in a skylight or a flat roof is easy. With a low profile cowl, the LoWatt T-Series roof model is suitable for installation in horizontal, angled and vertical glass and for fixing

LoWatt T-Series

About this product

where can I buy
this product from?

Information

- ▶ Description
- ▶ Controller
- ▶ Performance
- ▶ Dimensions
- ▶ Catalogue PDF

At a Glance...

Extract/intake model in 2
sizes: Size 9 and 12.

Patented electronic shutter
system ensures quiet
trouble free operation.

Designed to comply with
International safety
standards.

Up to **80% energy
saving**.

[Product Brochures](#)

[Product Specifications](#)

plates in roofs. For vertical windows or walls in exposed areas and single and double glazing including most types of glass up to 32mm thick. Greater thicknesses can be accommodated using extended fixing rod sets. Both sizes of Vent-Axia roof plate assemblies can be fitted easily into flat roofs.

Why choose LoWatt?
[click here to find out more...](#)

[▲ back to top](#)

Shutter

With energy saving in mind LoWatt T-Series models are supplied complete with an integral instantaneous automatic louvre shutter concealed behind the interior grille. It will operate on both intake and extract and at any angle of mounting.

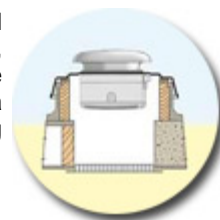
The shutter is electronically controlled by an actuator with a damped action giving quiet operation during instant opening and closing. The interlocking edges of the shutter blades provide maximum backdraught protection.

When the ventilating unit is used with a LoWatt T-Series Controller, the shutter can be set open with the fan motor switched off to provide natural ventilation without the security risk of an open window.

[▲ back to top](#)

Flat roof

LoWatt T-Series roof models may be installed through solid roofs using a roof plate assembly and, if required, an eggcrate grille or louvred grille in the ceiling below. Alternatively, if ventilation is from a suspended ceiling, single spigots and flexible ducting may be used to connect the unit and extract grille.



Corrugated roof

LoWatt T-Series roof models are suitable for fixing through corrugated

FAQ's Answered

- Wired or Wire-less fan models available
- T-Series controllers and sensors save energy by only switching the units On when you want them to, either manually or automatically
- Long life LoWatt motor lasts twice as long as other conventional motors
- **5 year guarantee**



A typical ducted roof installation

sloped and vertical cladding using a suitable soaker flange. The soaker flange consists of a replacement sheet with a flat section to carry the unit. A suitable sealing compound should be used between the plate and the exterior unit seal.

Pitched roof

LoWatt T-Series roof models may be installed in fixing plates with zinc or lead weathering apron (provided by others), fitted directly to a tiled or slated roof to provide a water-tight installation. A suitable sealing compound should be used between the weathering apron and the exterior unit seal.



NEW LoWatt T-Series Controller



LoWatt T-Series Controllers are available in both **Wired** and **Wire-less FM** versions. The three speed push button surface mounted controllers provide intake/extract and shutter only options and auto mode position for use with external sensors.

Wired versions are connected to the fan using a plug-in Safety Extra Low Voltage 2-core signal cable supplied (10m), allowing simple and safe installation. Alternatively, the **Wire-less FM** controller offers full control without the need for any wiring, ideal for premises where installations need to be carried out with minimum disruption or where surface wiring can be classed as unsightly or obtrusive.

[▲ back to top](#)

Sensors

Can be used in conjunction with a LoWatt T-Series Controller

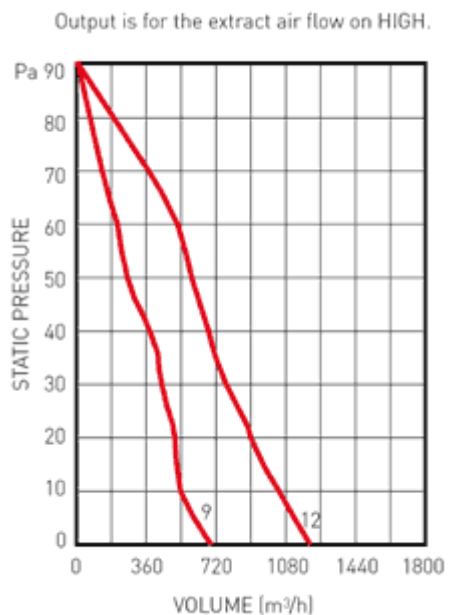
Ambient Response Humidity Sensor - Self programming electronic On/Off wall mounted humidity sensor which reacts to any rapid increase in humidity and temperature. Night time RH increment setback feature

Ecotronic Humidity Sensor - Adjustable set point, solid state controller. Pullcord provides manual override. Adjustable from 65% to 90%RH.

Air Quality Sensor - Automatically reacts to the depletion of air quality, sensing tobacco smoke, smells and toilet odours to regulate mechanically ventilated areas

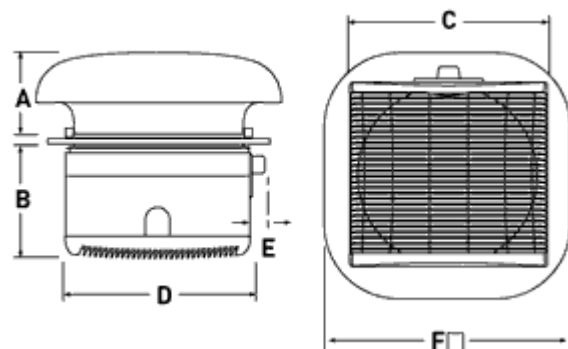
[▲ back to top](#)

Performance



Unit Size		LoWatt TX9RF Wireless	LoWatt TX9RF
Stock Ref. No.		45 61 72	45 61 68
Amps @ 240V		0.34	0.34
Extract Performance m³/h	Low	313	313
	Med	526	526
	High	693	693
Watts (high)		29	29

dB(A) (med) @ 3m		40	40
Unit Size		LoWatt TX12RF Wireless	LoWatt TX12RF
Stock Ref. No.		45 61 80	45 61 76
Amps @ 240V		0.69	0.69
Extract Performance m³/h	Low	518	518
	Med	1017	1017
	High	1194	1194
Watts (high)		67	67
dB(A) (med) @ 3m		48	48

Recommended controller:Wire-less Controller **Stock Ref. No. 45 58 74**Wired **Stock Ref. No. 45 58 73**[▲ back to top](#)**Dimensions (mm)**

Size	A	B	C	D	E	F	Fixing Hole	Weight kg
230mm	136	150	304	302	54	400	260	6.22
300mm	171	177	381	378	54	400	337	9.28

Catalogue PDF



[\[Click here to download the PDF for this range\]](#)

[▲ back to top](#)