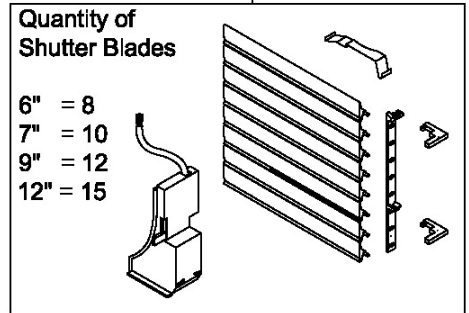
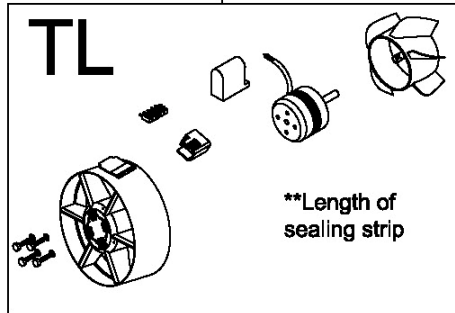
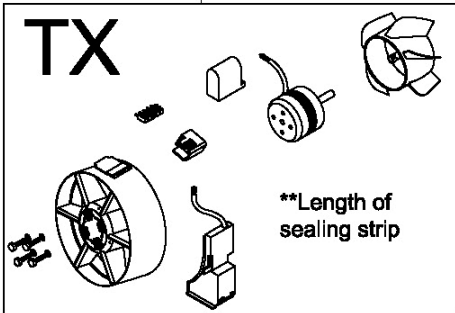
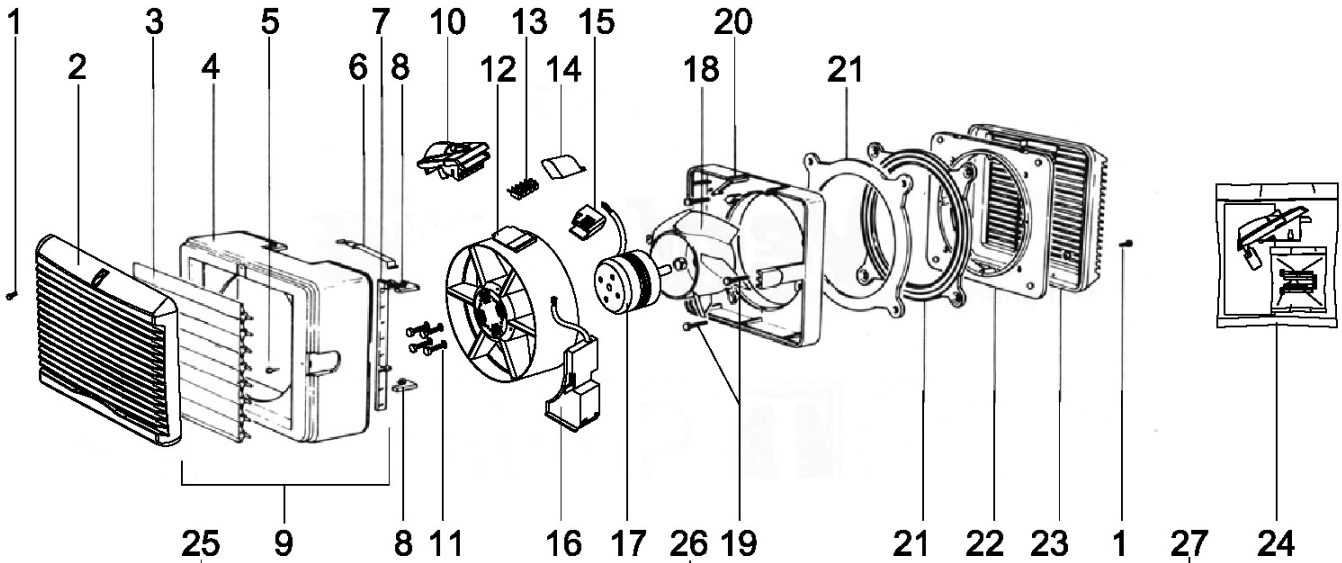
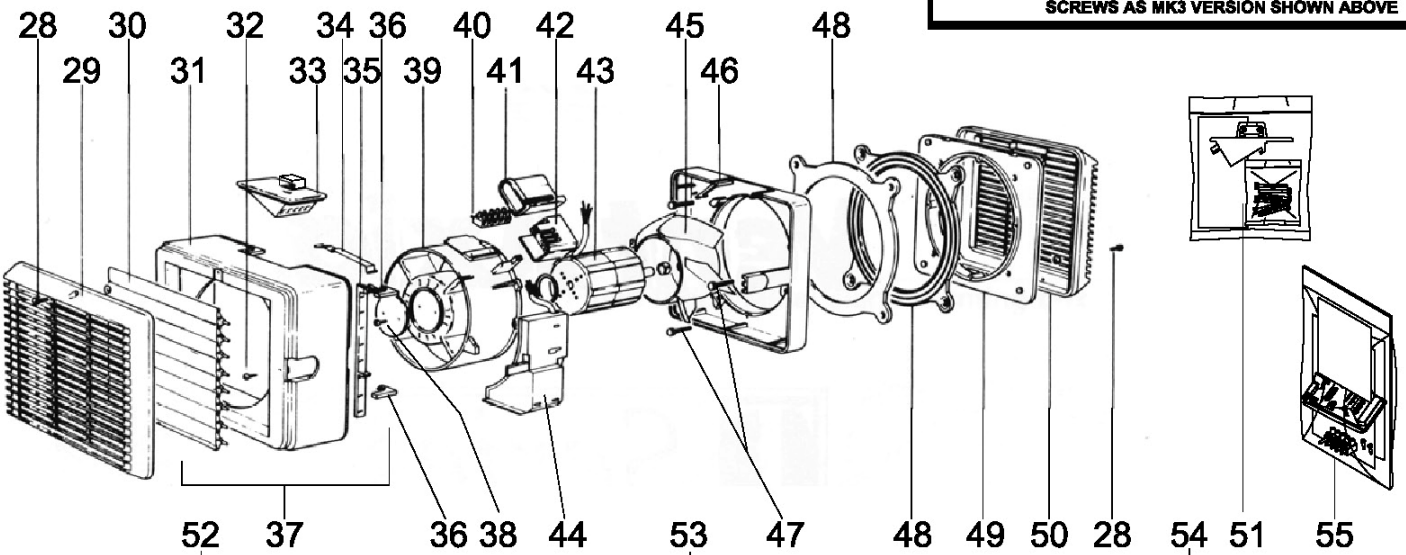


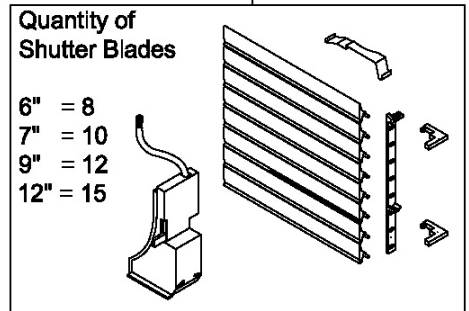
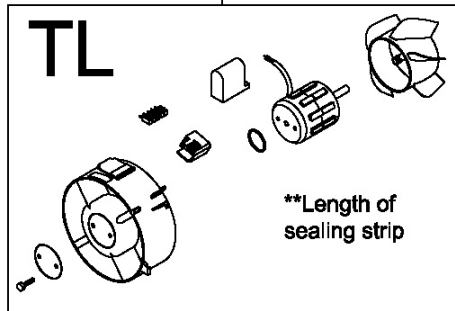
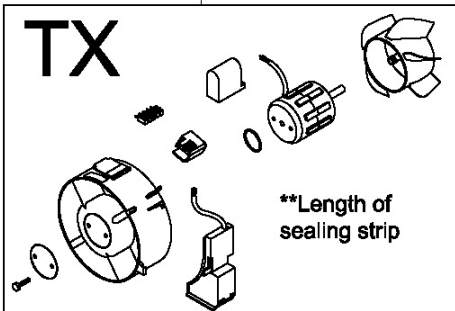
MK3



MK1



MK2 AS MK1 VERSION BUT WITH MOTOR, IMPELLER, MOTOR HOUSING & SCREWS AS MK3 VERSION SHOWN ABOVE



T-SERIES - WINDOW SPARE PARTS LIST



Vent-Axia

Diag	DESCRIPTION	SIZE 6	SIZE 7	SIZE 9	SIZE 12
Mk3					
Connector Socket, Grilles and Frames changed May 2004					
1	Grille retaining screws (pack of 2)	426325	426325	426325	426325
2	Internal Grille with retaining screw	428033	428034	428035	428036
3	Shutter Blade - each	460039	460068	460060	460048
4	Housing only for TL version	466499	466500	466501	466502
5	Housing screws, set of 2	460436	460436	460436	460436
6	Shutter Return Spring	460088	460088	460088	460088
7	Shutter Acuator Lever	460036	460069	460061	460050
8	Lever retainer 6/7/9 (set of 2) 12" (set of 3)	460433	460433	460433	460434
9	TX Housing c/w shutter blade Assy	466456	466457	466458	466459
10	Connector Socket	428031	428031	428031	428031
11	Motor Screw Pack (pack of 4)	458315	458315	458315	458315
12	Motor Housing-SLOTTED	458222	458223	458224	458225
13	Terminal Block - Yellow	428030	428030	428030	428030
14	Capacitor Pack - YELLOW 240v	458307	458308	458309	458310
15	Capacitor Socket Assy-YELLOW	458234	458235	458235	458236
16	Shutter Acuator 220-240v	460002	460002	460004	460004
17	External Rotor MOTOR 220-240v	458226	458226	458227	458228
18	Impeller incl. comp.ring-SLOTTED	458261	458259	458258	458260
19	Fixing Screws 6/7/9 (set of 4) 12" (set of 6)	460427	460427	460427	460428
20	Housing Base	466434	466435	466436	466437
21	Gasket - each	460051	460052	460053	460054
22	Mounting Plate	466444	466445	466446	466447
23	External Grille	428037	428038	428039	428040
24	Accessory Pack	426814	426814	426814	426815
25	TX Motor Core Sub Assy-Ext Rotor	458240	458241	458242	458243
26	TL Motor Core Sub Assy-Ext Rotor	458244	458245	458246	458247
27	Shutter Pack Assembly	460530	460531	460532	460533
	Fitting & Wiring Leaflet	426844	426844	426844	426844
Mk2 Production Period: January, 2002 - April, 2004					
Mk2 = As Mk1 version but with Motor, Impeller, Motor Housing and screws as Mk 3 version					
Mk1 Production Period: September, 1985 - December, 2001					
28	Grille retaining screws & washers	460437	460437	460437	460437
29	Internal Grille with captive retaining screw	466452	466453	466454	466455
30	Shutter Blade - each	460039	460068	460060	460048
31	TL Housing	466499	466500	466501	466502
32	Housing screws, set of 2	460436	460436	460436	460436
33	Connector c/w side-entry clamp - 466503 Connector c/w top-entry clamp 466793	use refit pack (55)	use refit pack (55)	use refit pack (55)	use refit pack (55)
34	Shutter Return Spring	460088	460088	460088	460088
35	Shutter Acuator Lever	460036	460069	460061	460050
36	Lever retainer (set of 2) (set of 3)	460433	460433	460433	460434
37	TX Housing (with shutter blade)	466456	466457	466458	466459
38	Motor Accessory Pack	460017	460017	460017	460017
39	Motor Body Moulding	460032	460067	460057	460043
40	Terminal Block	460121	460121	460121	460121
41	Capacitor Pack 240v 120v	460153 460617	460154 460617	460155 460619	460156 460620
42	Capacitor Socket Assy	460291	460292	460292	460293
43	Motor 220-240v 120v Motor-TX & TL In-line only	466711 466715 452796	466712 466716 ***	466713 466717 452797	466714 466718 452798
44	Shutter Acuator 220-240v 120v	460002 460365	460002 460366	460004 460367	460004 460450
45	Impeller incl. compression ring	460429	460430	460431	460432
46	Housing Base	466434	466435	466436	466437
47	Fixing Screws (set of 4) (set of 6)	460427	460427	460427	460428
48	Gasket - each	460051	460052	460053	460054
49	Mounting Plate	466444	466445	466446	466447
50	External Grille	466504	466505	466506	466507
51	Accessory Pack	456029	456029	456029	456030
52	TX Motor Core Sub Assy	452586	452587	452588	452589
53	TL Motor Core Sub Assy	452590	452591	452592	452593
54	Shutter Assy	460530	460531	460532	460533
55	Refit Pack - Connector Socket	428032	428032	428032	428032
	Fitting & Wiring Leaflet	460523	460523	460523	460523

