

Euroseries® - (ESC) Short Case Axial Fans



Features and Benefits

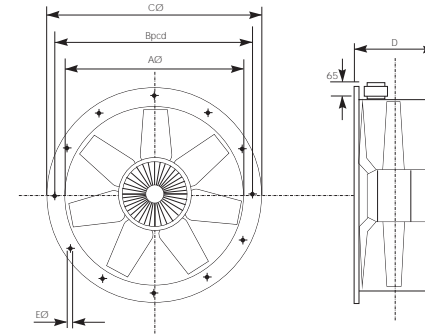
- External rotor motors
- Die cast aluminium impellers
- Fully speed controllable
- Air Volumes up to 13.89m³/s.
- Sizes 315 to 1000 protected to IP54.
- Operating Temperatures from -40°C up to +70°C.
- Motor Insulation Class F.
- HOT SPOT Protection.
- All units reversible for supply or extract
- Tough epoxy paint finish.
- Quality Assurance to BS EN ISO 9001:1994.
- Performance tested to BS848 Part 1 1980.

Performance Guide

Dia	Phase	Stock Ref	RPM	IP Rating	m ³ /s										Motor kW	S.C. Amps	F.L.C. Amps	dBA @ 3m		
					0	25	50	70	100	125	150	200	225	250					300	
2 POLE																				
250	1	ESC25012	2440	IP44	0.46	0.42	0.40	0.37	0.31	0.21	0.14						0.14	1.15	0.6	59
250	3	ESC25032	2700	IP44	0.59	0.57	0.55	0.53	0.50	0.45							0.35	2.5	0.63	61
315	1	ESC31512	2690	IP54	1.02	0.98	0.96	0.92	0.88	0.84	0.80	0.68					0.48	6	2.1	64
315	3	ESC31532	2800	IP54	1.06	1.03	1.01	0.98	0.95	0.92	0.89	0.81	0.69				0.48	5	0.9	60
355	1	ESC35512	2800	IP54	1.40	1.37	1.33	1.30	1.26	1.21	1.18	1.05	1.00	0.93			1.05	19	4.45	71
355	3	ESC35532	2700	IP54	1.42	1.37	1.33	1.30	1.27	1.22	1.18	1.07	1.01	0.89			1.05	8	2.2	73
4 POLE																				
250	1	ESC25014	1340	IP44	0.21	0.17	0.12	0.07								0.04	0.3	0.16	44	
315	1	ESC31514	1300	IP54	0.57	0.50	0.42	0.34								0.15	1.38	0.7	50	
315	3	ESC31534	1390	IP54	0.58	0.52	0.44	0.35								0.11	2.1	0.27	46	
355	1	ESC35514	1330	IP54	0.96	0.87	0.76	0.63								0.19	1.45	0.84	53	
355	3	ESC35534	1370	IP54	1.00	0.92	0.83	0.71								0.17	1.35	0.37	49	
400	1	ESC40014	1350	IP54	1.40	1.28	1.16	0.97								0.29	2.4	1.45	56	
400	3	ESC40034	1350	IP54	1.48	1.38	1.28	1.08								0.26	2.1	0.56	51	
450	1	ESC45014	1370	IP54	1.72	1.60	1.46	1.34	1.11							0.36	3.6	1.6	61	
450	3	ESC45034	1380	IP54	1.80	1.70	1.59	1.43	1.24							0.36	2.6	0.8	56	
500	1	ESC50014	1290	IP54	2.10	1.97	1.82	1.64	1.41							0.51	4.3	2.3	55	
500	3	ESC50034	1380	IP54	2.27	2.15	2.05	1.90	1.75	1.54						0.55	3.7	1.05	58	
560	1	ESC56014	1320	IP54	3.72	3.58	3.44	3.32	3.11	2.94	2.71					1.4	9.3	6	63	
560	3	ESC56034	1220	IP54	3.43	3.24	3.08	2.92	2.67	2.38	2.05					1.2	7	1.8	70	
630	1	ESC63014	1320	IP54	5.09	4.92	4.77	4.62	4.41	4.26	4.02	3.47	3.14	2.72		2.2	28	9.9	70	
630	3	ESC63034	1360	IP54	5.19	5.01	4.86	4.71	4.47	4.23	4.02	3.41				1.9	14	3.2	64	
710	3	ESC71034	1290	IP54	6.81	6.65	6.49	6.34	6.16	5.94	5.72	5.22	4.82	4.42		2.9	19	5.3	72	
800	3	ESC80034	1270	IP54	10.39	10.10	9.81	9.57	9.18	8.79	8.45	7.73	7.20	6.72	5.51	4.7	29	8.3	78	
6 POLE																				
355	1	ESC35516	950	IP54	0.69	0.53										0.09	1.2	0.46	44	
355	3	ESC35536	910	IP54	0.62	0.35										0.09	0.5	0.25	45	
400	1	ESC40016	940	IP54	0.98	0.81										0.13	1.4	0.6	45	
400	3	ESC40036	920	IP54	0.96	0.79										0.11	0.9	0.28	50	
450	1	ESC45016	915	IP54	1.15	0.99										0.17	2.7	0.77	50	
450	3	ESC45036	890	IP54	1.16	1.00	0.75									0.12	1	0.28	51	
500	1	ESC50016	910	IP54	1.45	1.27	0.96									0.25	4.74	1.35	54	
500	3	ESC50036	900	IP54	1.52	1.35	1.16									0.23	1.5	0.56	56	
560	1	ESC56016	880	IP54	2.46	2.25	1.95	1.65								0.43	4.6	1.95	56	
560	3	ESC56036	860	IP54	2.39	2.15	1.83	1.42								0.39	1.75	0.81	56	
630	1	ESC63016	880	IP54	3.33	3.06	2.75	2.46								0.6	5.3	2.7	57	
630	3	ESC63036	890	IP54	3.37	3.10	2.80	2.48								0.59	3.6	1.3	59	
710	1	ESC71016	850	IP54	4.56	4.24	3.90	3.53								0.89	8	4.1	60	
710	3	ESC71036	860	IP54	4.71	4.41	4.11	3.80	3.29							1.1	7.7	2.2	62	
800	3	ESC80036	900	IP54	6.30	5.94	5.58	5.22	4.67	3.95						1.4	9.8	2.7	64	
1000	3	ESC100036	935	IP54	13.89	13.35	13.04	12.73	12.35	11.92	11.46	10.88	10.26	9.72		5.5	67	10.5	77	
8 POLE																				
630	1	ESC63018	650	IP54	1.79	1.29										0.32	6.4	1.45	58	
630	3	ESC63038	630	IP54	1.79	1.29										0.31	1.5	0.65	55	
710	1	ESC71018	640	IP54	3.40	2.98	2.37									0.52	8.5	2.3	58	
710	3	ESC71038	630	IP54	3.40	2.98	2.37									0.43	3.3	1.1	55	
800	3	ESC80038	670	IP54	4.82	4.35	3.84									0.69	5	1.75	58	
1000	3	ESC100038	670	IP54	9.78	9.35	8.91	8.42	7.66	6.63						2.2	13	4.2	65	

For Fans wired to reverse run, duty reduced by 30%

Dimensions (mm)



Dia	ØA	ØB	ØC	D	ØE	n	Kg
250	254	286	306	110	7	8	5
315	316.5	356	382	135	9.5	8	6.1
355	356	395	421	135	9.5	8	7.1
400	400	438	466	155	9.5	12	8.1
450	451	487	515	160	9.5	12	13.4
500	503	541	567	166	9.5	12	15.7
560	559	605	635	210	11.5	16	20.1
630	634	674	707	220	11.5	16	44
710	711	751	785	260	11.5	16	31
800	797	837	871	280	11.5	24	39
1000	1001	1043	1080	330	11.5	24	73

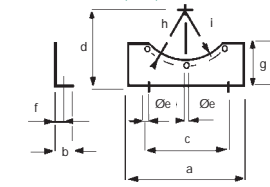
n = number of holes

Accessories Dimensions (mm)

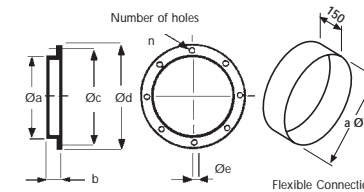
To complement the Euroseries fans, we offer a comprehensive range of purpose made ancillary items. These can be either purchased individually, or for more convenience and economy, they are also available as an ancillary pack containing:

- 4 - Anti vibration mountings
- 4 - Mounting feet
- 2 - Matching flanges
- 2 - Sound barrier flexible connectors (with clips)

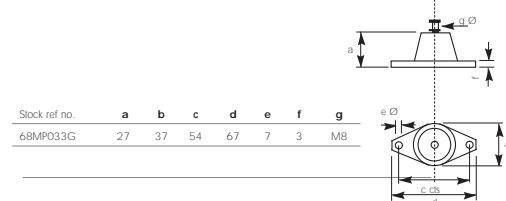
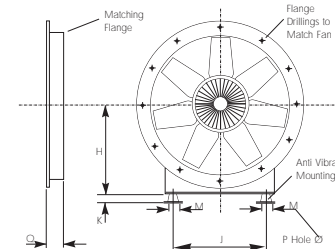
Dimensions (mm)



Stock Ref. No.	a	b	c	d	Øe	f	g	h	i
MFZ315	315	40	265	200	10	20	71	178	166
MFZ355	350	40	300	225	10	20	81.5	197.5	186
MFZ400	250	40	220	250	10	20	78	219	205
MFZ450	275	40	240	275	10	20	82	243.5	230
MFZ500	315	50	280	315	1	25	100	270.5	255
MFZ560	355	50	320	355	12	25	97	302.5	285
MFZ630	400	50	360	400	12	25	108.5	337	320
MFZ710	465	50	415	450	12	25	118.5	375.5	362
MFZ800	458	50	420	518	12	25	176	418.5	405



Stock Ref. No.	Øa	b	Øc	Ød	Øe	n
CFZ315	313	40	356	382	10	8
CFZ355	353	40	395	421	10	8
CFZ400	398	45	438	466	10	12
CFZ450	448	45	487	515	10	12
CFZ500	498	45	541	567	10	12
CFZ560	558	45	605	635	12	16
CFZ630	628	45	674	707	12	16
CFZ710	708	50	751	785	12	16
CFZ800	798	50	837	871	12	24
CFZ1000	998	50	1043	1080	12	24



Unit size	H	J	K†	M	P	Q
250						
315	200	265	27	54	7	40
355	225	300	27	54	7	40
400	250	220	27	54	7	45
450	275	240	27	54	7	45
500	315	280	27	54	7	45
560	355	320	27	54	7	45
630	400	360	27	54	7	45
710	450	415	27	54	7	50
800	518	420	27	54	7	50

† Deflection under load, sizes 315-630 = 4.5mm</

EuroSeries® -(ESC) Short Case Axial Fans (Cont'd...)



Features and Benefits

- External rotor motors
- Die cast aluminium impellers
- Fully speed controllable
- Air Volumes up to 13.89m³/s.
- Sizes 315 to 1000 protected to IP54.
- Operating Temperatures from -40°C up to +70°C.
- Motor Insulation Class F.
- HOT SPOT Protection.
- All units reversible for supply or extract
- Tough epoxy paint finish.
- Quality Assurance to BS EN ISO 9001:1994.
- Performance tested to BS848 Part 1 1980.

Attenuators Unit Size	1D Long - No Pod	1D Long - With Pod	2D Long - No Pod	2D Long - With Pod
	Stock Ref	Stock Ref	Stock Ref	Stock Ref
250	ACZ2501D	-	ACZ2502D	-
315	ACZ3151D	ACZ3151DP	ACZ3152D	ACZ3152DP
355	ACZ3551D	ACZ3551DP	ACZ3552D	ACZ3552DP
400	ACZ4001D	ACZ4001DP	ACZ4002D	ACZ4002DP
450	ACZ4501D	ACZ4501DP	ACZ4502D	ACZ4502DP
500	ACZ5001D	ACZ5001DP	ACZ5002D	ACZ5002DP
560	ACZ5601D	ACZ5601DP	ACZ5602D	ACZ5602DP
630	ACZ6301D	ACZ6301DP	ACZ6302D	ACZ6302DP
710	ACZ7101D	ACZ7101DP	ACZ7102D	ACZ7102DP
800	ACZ8001D	ACZ8001DP	ACZ8002D	ACZ8002DP

Model All RED highlighted text GEN All BLUE highlighted text IND

Stock Ref	Speed Controller		Starter		Speed Controller		Starter 3 phase	Ancillary Packs	Mounting Feet	Matching Flanges	Wire Guards	Anti.Vib. Mnts (set of 4)
	Electronic 1ph	Auto Transfor. 1ph	1 phase	3 phase	Auto	Transfor. 3ph						
Single Phase - 2 Pole			Three Phase - 2 Pole									
ESC25012	SP5001	SPM5020	RDO1B	ESC25032	RDTK10	RDO3B	APZ250	MFZ250	CFZ250	WGZ250	68MP033G	
ESC31512	SP5025	SPM5035	RDO1D	ESC31532	RDTK10	RDO3C	APZ315	MFZ315	CFZ315	WGZ315	68MP033G	
ESC35512	SP5050	SPM5060	RDO1F	ESC35532	RDTK40	RDO3E	APZ355	MFZ355	CFZ355	WGZ355	68MP033G	
Single Phase - 4 Pole			Three Phase - 4 Pole									
ESC25014	SP5001	SPM5020	RDO1A	-	-	RDO3B	APZ250	MFZ250	CFZ250	WGZ250	68MP033G	
ESC31514	SP5001	SPM5020	RDO1BB	ESC31534	RDTK10	RDO3B	APZ315	MFZ315	CFZ315	WGZ315	68MP033G	
ESC35514	SP5001	SPM5020	RDO1BB	ESC35534	RDTK10	RDO3A	APZ355	MFZ355	CFZ355	WGZ355	68MP033G	
ESC40014	SP5025	SPM5020	RDO1D	ESC40034	RDTK10	RDO3B	APZ400	MFZ400	CFZ400	WGZ400	68MP033G	
ESC45014	SP5025	SPM5020	RDO1D	ESC45034	RDTK10	RDO3BB	APZ450	MFZ450	CFZ450	WGZ450	68MP033G	
ESC50014	SP5025	SPM5035	RDO1E	ESC50034	RDTK20	RDO3C	APZ500	MFZ500	CFZ500	WGZ500	68MP033G	
ESC56014	SP5010	SPM5075	RDO1J	ESC56034	RDTK40	RDO3D	APZ560	MFZ560	CFZ560	WGZ560	68MP033G	
ESC63014	-	SPM5140A	RDO1J	ESC63034	RDTK40	RDO3F	APZ630	MFZ630	CFZ630	WGZ630	68MP033G	
				ESC71034	RDTK70	RDO3H	APZ710	MFZ710	CFZ710	WGZ710	68MP033G	
				ESC80034	RD14	RDO3J	APZ800	MFZ800	CFZ800	WGZ800	68MP033G	
Single Phase - 6 Pole			Three Phase - 6 Pole									
ESC35516	SP5001	SPM5020	RDO1B	ESC35536	RDTK10	RDO3A	APZ355	MFZ355	CFZ355	WGZ355	68MP033G	
ESC40016	SP5001	SPM5020	RDO1B	ESC40036	RDTK10	RDO3A	APZ400	MFZ400	CFZ400	WGZ400	68MP033G	
ESC45016	SP5001	SPM5020	RDO1A	ESC45036	RDTK10	RDO3BB	APZ450	MFZ450	CFZ450	WGZ450	68MP033G	
ESC50016	SP5025	SPM5020	RDO1D	ESC50036	RDTK10	RDO3B	APZ500	MFZ500	CFZ500	WGZ500	68MP033G	
ESC56016	SP5025	SPM5035	RDO1D	ESC56036	RDTK10	RDO3BB	APZ560	MFZ560	CFZ560	WGZ560	68MP033G	
ESC63016	SP5050	SPM5035	RDO1E	ESC63036	RDTK20	RDO3C	APZ630	MFZ630	CFZ630	WGZ630	68MP033G	
ESC71016	SP5050	SPM5060	RDO1F	ESC71036	RDTK40	RDO3E	APZ710	MFZ710	CFZ710	WGZ710	68MP033G	
				ESC80036	RDTK40	RDO3E	APZ800	MFZ800	CFZ800	WGZ800	68MP033G	
				ESC100036	RD14							
Single Phase - 8 Pole			Three Phase - 8 Pole									
ESC63018	SP5025	SPM5035	RDO1E	ESC63038	RDTK10	RDO3B	APZ630	MFZ630	CFZ630	WGZ630	68MP033G	
ESC71018	SP5025	SPM5035	RDO1E	ESC71038	RDTK20	RDO3C	APZ710	MFZ710	CFZ710	WGZ710	68MP033G	
				ESC80038	RDTK20	RDO3D	APZ800	MFZ800	CFZ800	WGZ800	68MP033G	
				ESC100038	RDTK70	RDO3F	-	-	-	-	68MP033G	

Note:- Ancillary packs consists of: 4 anti-vibration mounts, 2 matching flanges, 2 mounting feet and 2 flexible connections.

Note: - When speed control is required a 5 step auto transformer speed controller is recommended, to ensure low noise levels.

- All 3 Phase models are suitable for frequency inverter speed control.