

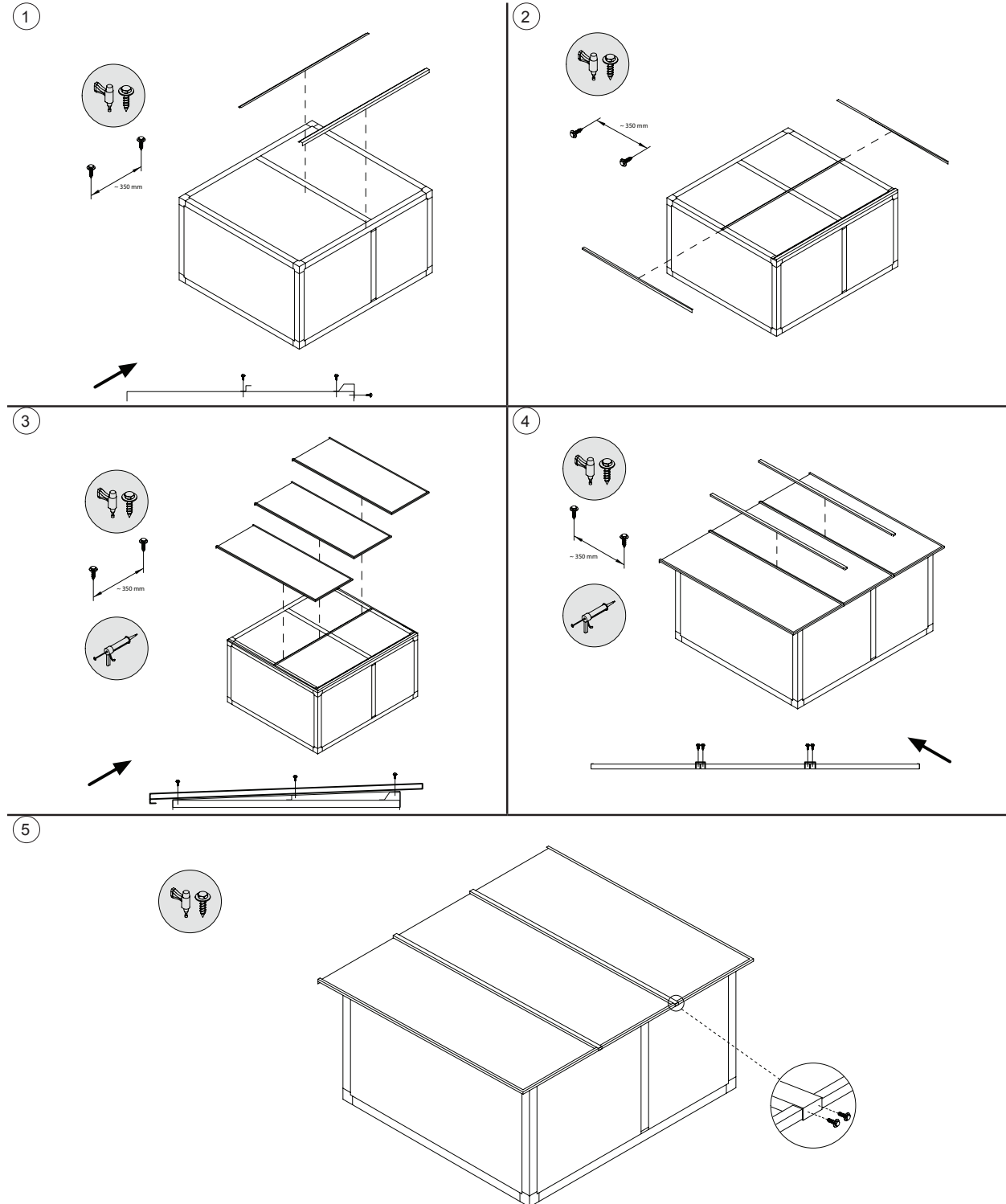
3.6. Roof installation

Outdoor facilities must be installed on the installation frame; air duct connections must be equipped with dampers. The device must be additionally protected

against environmental damage by installing a special roof and exhaust flow hoods.

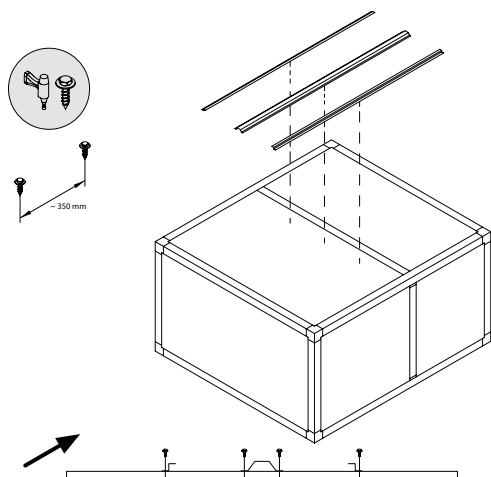
Ventilation devices, when possible, should be installed near the walls so that they are protected from wind loads.

Klasik 1-7 size

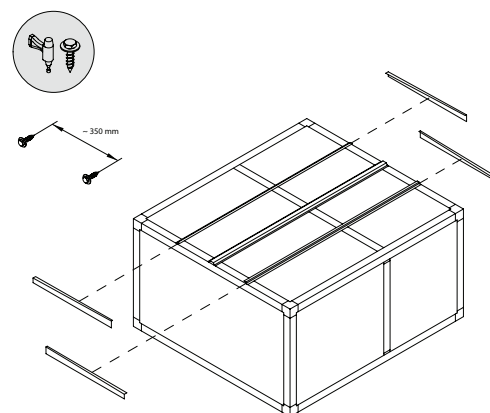


Klasik 8-14 size

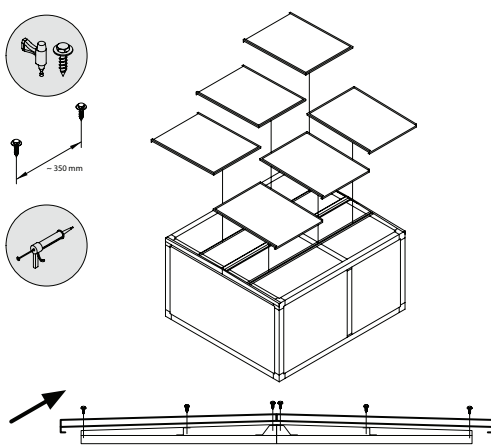
1



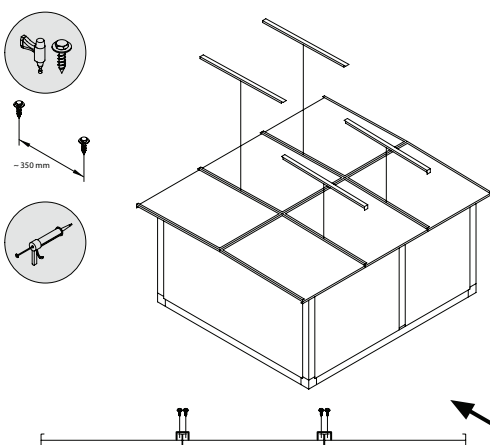
2



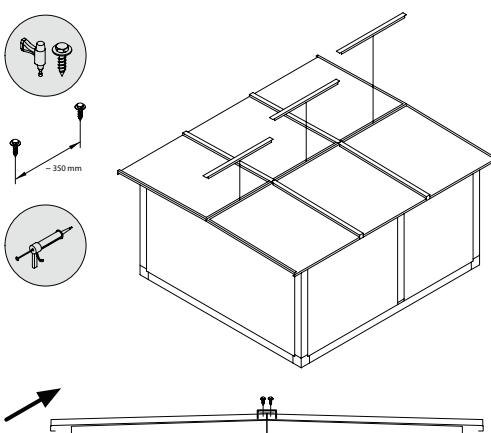
3



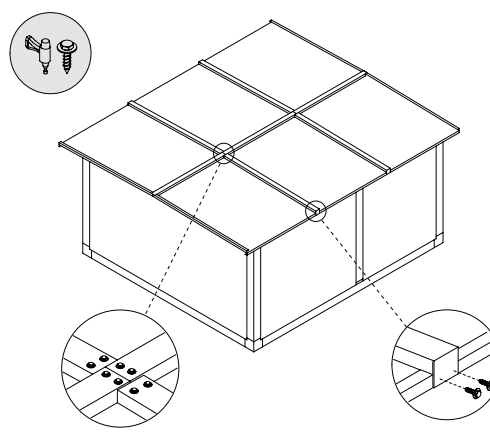
4



5



6



Pictures are for information only. Exact amounts and dimensions of roof parts are provided in the installation drawings.

