

VAV FUNCTIONS

INSTALLATION MANUAL C5 / C6 / C6M



CONTENT

INTRODUCTION	4
1. PRESSURE SENSORS INSTALLATION	4
2. PIPES CONNECTION	5
3. ELECTRICAL CONNECTION TO THE AHU	6
4. PRESSURE SENSORS SETTINGS	7
4.1. P2500 sensor	7
4.2. SPM-50 or SPM-55 pressure sensors	8
5. VAV FUNCTION ACTIVATION AND SETTINGS	10
5.1. C5 automation.....	10
5.2. C6/C6M automation.....	14

INTRODUCTION

Variable Air Volume (hereafter called as „VAV“) control mode is when air handling unit operates depending on changeable ventilation demands in separate premises. By those demands controlled ventilation system ensures ventilation only where is needed, therefore such air volume control mode signally reduces unit's exploitation costs, prolongs unit's life time, filters are less polluted.

After unit have been installed and commissioned it must be appropriately prepared according to here-under description clauses to ensure correct VAV mode operation.

1. PRESSURE SENSORS INSTALLATION

For VAV function operation two duct pressure sensors are needed (they are supplied together with the air handling unit if VAV function is ordered) to be additionally installed with the unit: one on air supply duct, another on exhaust. Pressure sensors installation requirements:

- sensors must be installed on the straight duct part with recommended minimum distance of two diagonals for rectangular duct cross-section or two diameters of the circular duct correspondingly;
- it is recommended to install sensor vertically with air pipes directed downwards;
- sensor is screwed directly to the duct (refer to figure 1).
- Suitable pressure sensors: P2500, SPM-50 or SPM-55.

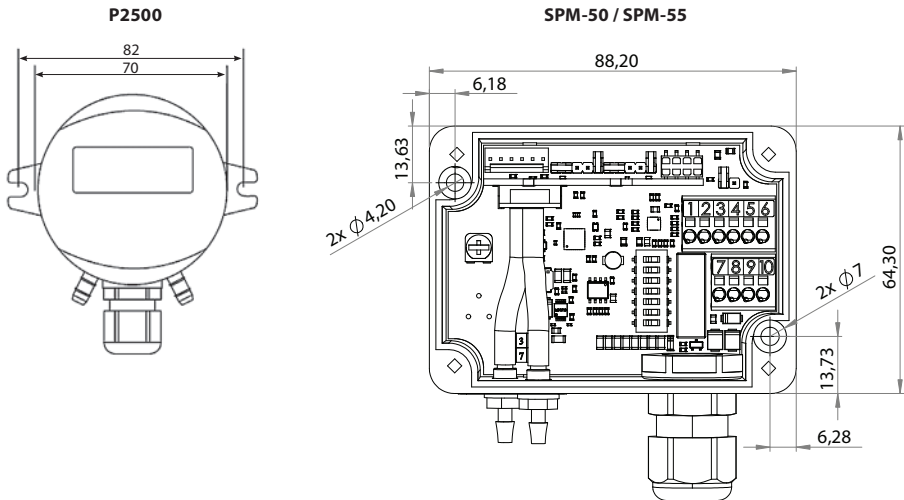


Fig. 1. Pressure sensors dimensions

2. PIPES CONNECTION

After pressure sensors have been installed in the specified place, air pipes by which air pressure is supplied to the sensors must be connected. To each sensor one air pipe must be connected in such a way: one pipe end directly to the sensor (see figure 2.), another pipe end is passed through the gasket of drilled hole in the duct and inserted inside the duct.

To the sensor which is installed on supply air duct, pipe is connected to the place marked by "+" sign, another connection marked by "-" sign remains opened. To the sensor intended for the exhaust air, pipe is connected conversely, i.e. to "-" sign, and sensor connection marked by "+" is left opened.

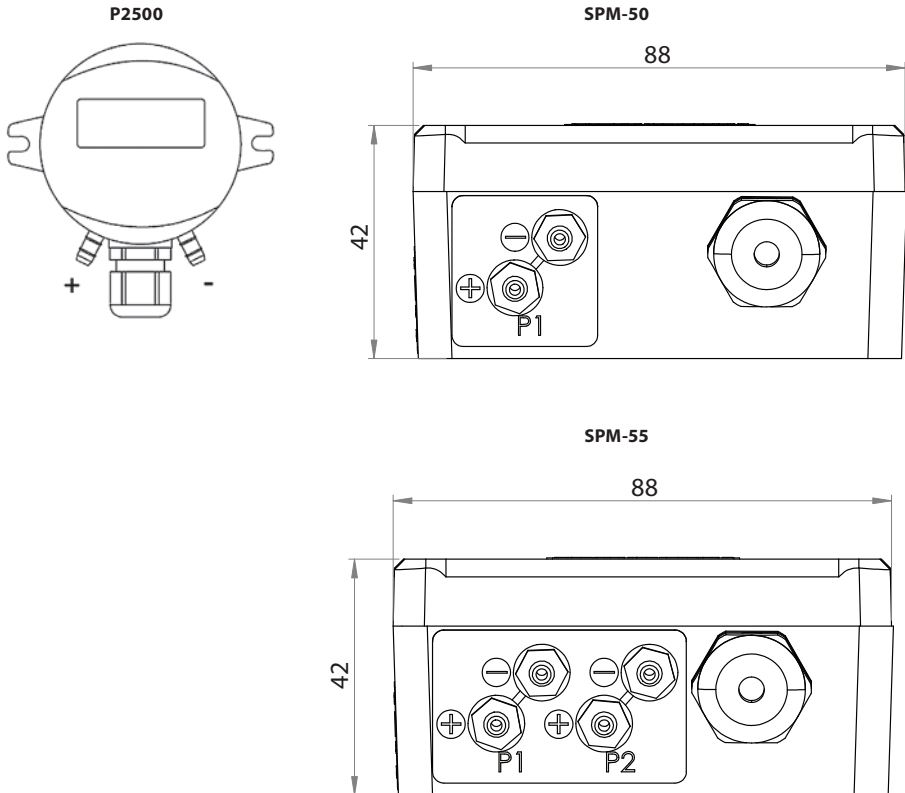


Fig. 2. Pressure sensors pipes connection



It is recommended to keep the length of pipes connecting sensors with ducts as short as possible.

3. ELECTRICAL CONNECTION TO THE AHU

When pressure sensors are mounted, they must be connected to the automation of the AHU. If pressure maintenance is needed in both airflows, two pressure sensors must be connected. Depending on the type of automation, electrical connections must be performed strictly according to diagrams.

VAV function can also run with only one pressure sensor. In that case, pressure will be maintained in the airflow, where pressure sensor is connected and the fan of other airflow will follow in parallel (master-slave configuration). Pressure sensor is connected only to these automation terminals, which corresponds to the airflow where sensor is installed.

For sensor connection it is recommended to use $3 \times 0,5 \text{ mm}^2$ shielded cable.

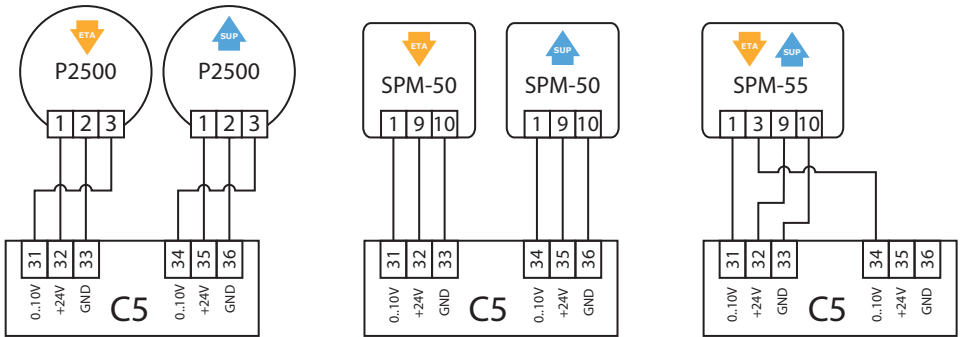


Fig. 3a. Pressure sensor connection diagram for C5 automation

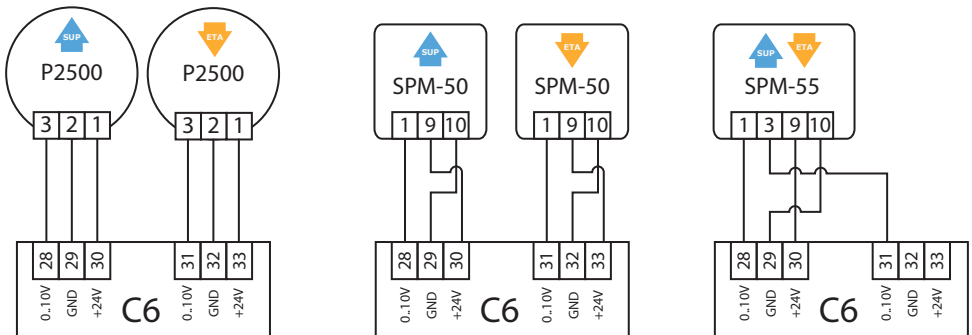


Fig. 3b. Pressure sensor connection diagram for C6 automation

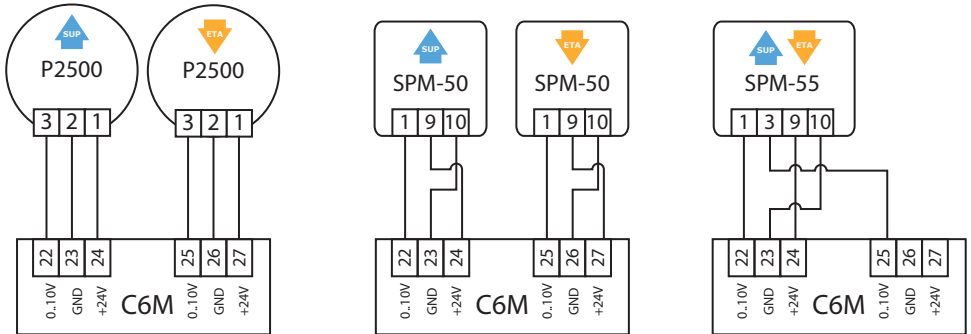


Fig. 3c. Pressure sensor connection diagram for C6M automation

4. PRESSURE SENSORS SETTINGS

To ensure correct VAV mode operation after sensors installation such settings must be done.

4.1. P2500 sensor

1. After electric power has been supplied to the not switched on unit it is recommended to set each sensor to initial (zero) position. To do that „ZERO“ button located inside the sensor must be pressed for about 8s (AHU must be stopped at the moment of initialization).

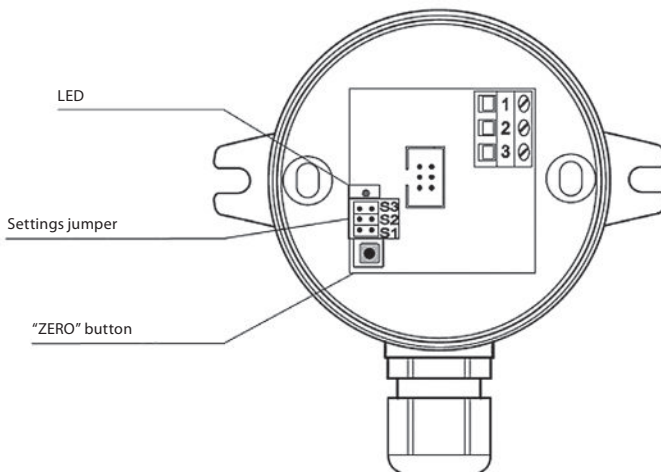


Fig. 4a. P2500 pressure sensor

2. Set jumpers located inside the sensor to required pressure range.

Pressure ranges:

Pa	0...100	0...200	0...300	0...500	0...1000	0...1500	0...2000	0...2500
S3	●●	●●	●●	●●	■	■	■	■
S2	●●	■	●●	■	●●	●●	■	■
S1	■	●●	●●	■	●●	■	●●	■

3. Set constant air volume control mode („CAV“).

4. Switch on the air handling unit.

5. When the operating unit air flow will reach nominal value (maximum air flow during operation of the unit), voltage (DC) between 2 and 3 contacts of pressure sensors (see Pic.4) must be measured by digital multimeter. The voltage must be in range of 3..9V (recommended – 6V). If voltage is out of range other pressure range must be chosen with jumpers.



Sensor pressure range can be also set without referring to the descriptions presented above. In order to do that special device for measuring maximum pressure in the ducts must be used or according to the project data of the ventilation system.

4.2. SPM-50 or SPM-55 pressure sensors

1. After turning on the power supply, with the AHU turned off, set the sensor to the initial (zero) position. Place the jumper on the SET terminal and remove it after 10 seconds.

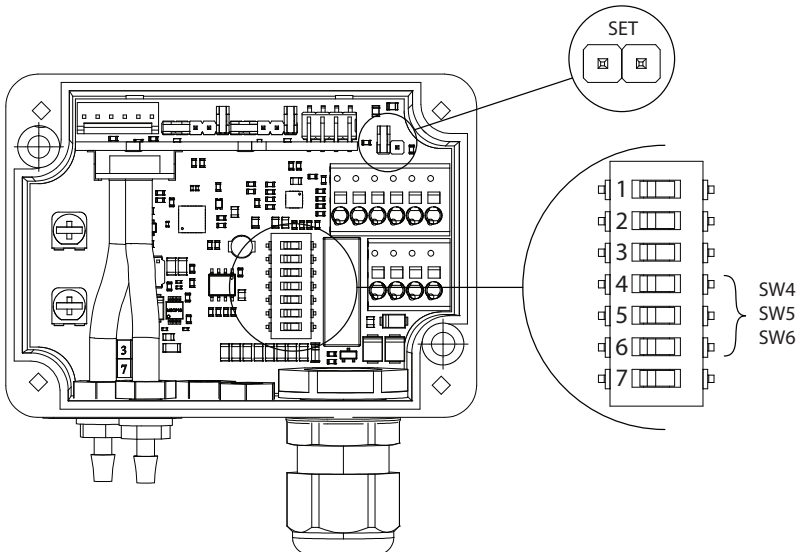


Fig. 4b. SPM-50 / SPM-55 pressure sensor

2. Set the desired sensor pressure range using micro switches SW4, SW5 and SW6.

Range	SW4 (PS1_RANGE)	SW5 (PS2_RANGE)	SW6 (PS3_RANGE)
0...100	OFF	OFF	OFF
0...200	ON	OFF	OFF
0...300	OFF	ON	OFF
0...500	OFF	OFF	ON
0...1000	OFF	ON	ON
0...2000	ON	OFF	ON
0...3000	ON	ON	OFF
0...5000	ON	ON	ON

3. Set the constant air volume control mode (CAV) in the AHU.

4. Turn on the AHU.

5. During operation of the unit, when the nominal air volume is reached (maximum air flow for unit operation), you must measure the DC voltage on the pressure sensors between pin 1 and 10 (see fig. 3) using a digital multimeter. If the measured voltage does not fall within the 3..9V range, another pressure range must be selected using micro switches. We recommend selecting the range so that the measured voltage is as close as possible to 6V.



The pressure range of the sensor can also be set without the points listed above. This can be performed by measuring the actual maximum pressure in the air ducts with a special device or by using the project data of the ventilation system.

5. VAV FUNCTION ACTIVATION AND SETTINGS

Before activating VAV function, air supply and exhaust devices of the ventilation system must be regulated and settled to supply air to all ventilated premises, i.e. all ducts, branches, dampers, etc. must be opened. On the control panel of the AHU following settings should be adjusted.

5.1. C5 automation

1. Enter the same pressure sensor range, that was set as stated in paragraph No. 4:

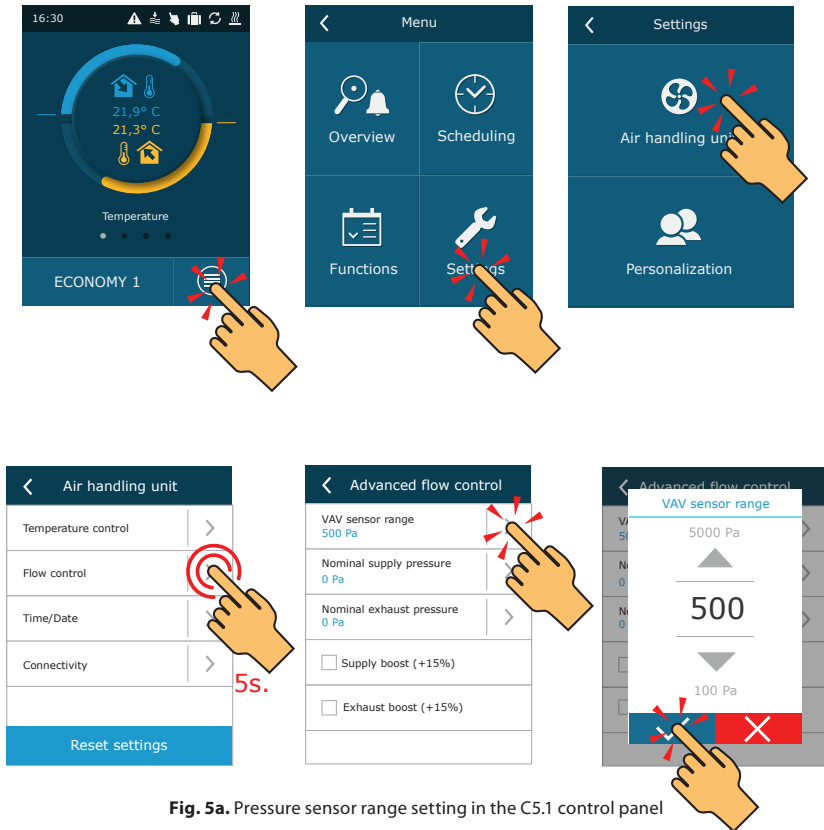
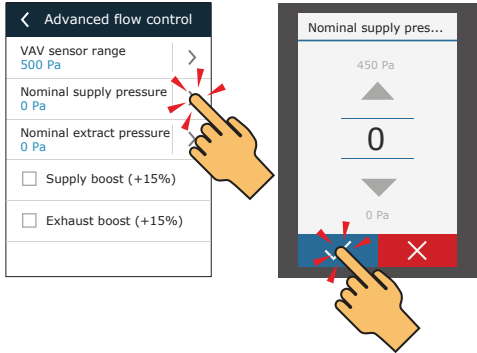


Fig. 5a. Pressure sensor range setting in the C5.1 control panel

2. Enter the nominal pressure (Pa) in the supply and extract air ducts according to the project data of the ventilation system. This entered pressure will be the maximum pressure that you can use in the ventilation mode settings.

If the system pressure is unknown, perform VAV calibration according to the step 3.



3. Activate VAV function and perform calibration (In case the system pressure is not specified in the project).

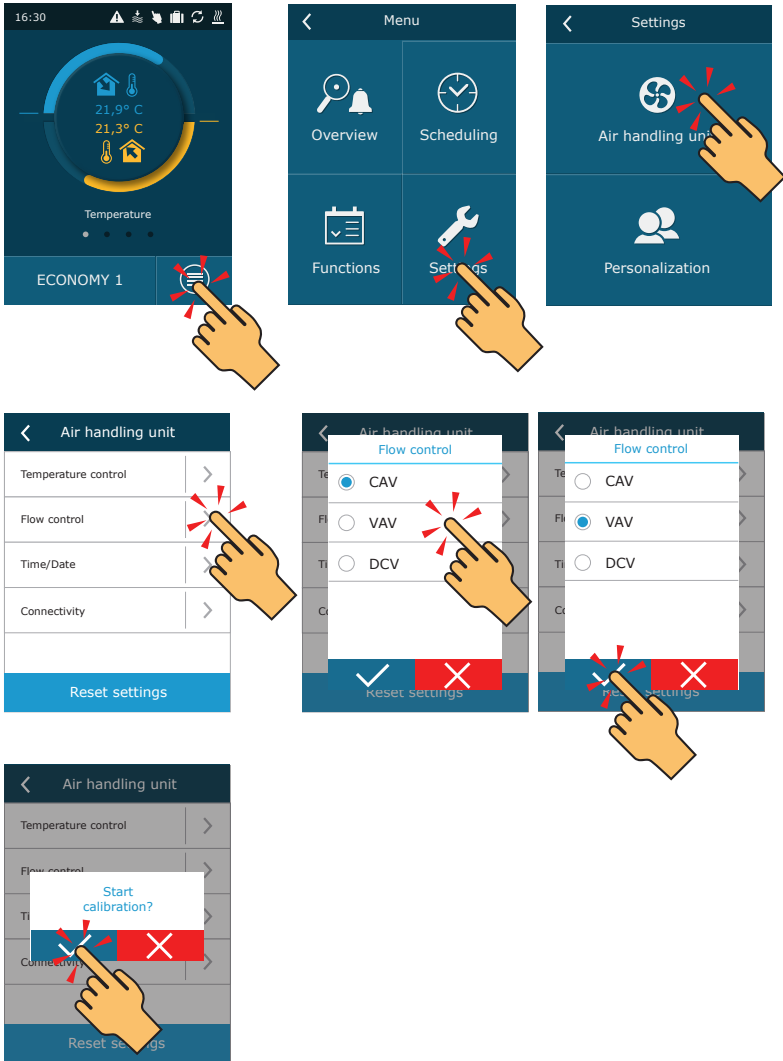


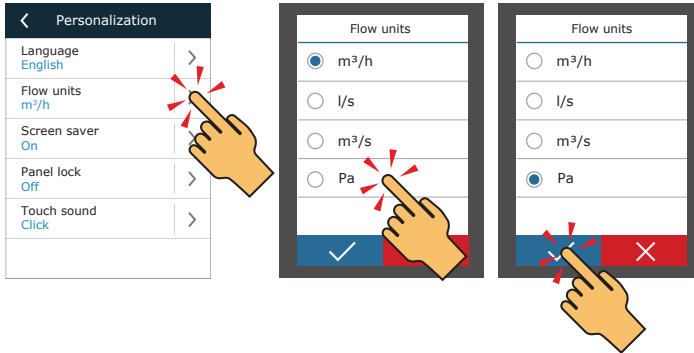
Fig. 5b. Flow control mode selection and VAV calibration in the C5.1 control panel

During VAV calibration AHU will run on maximum speed. Calibration duration is approximately 3 minutes. During this time do not change unit settings, do not open unit door or regulation dampers. After successful calibration AHU will be ready to run in VAV mode. In order to deactivate VAV function, select any other flow control mode (see figure 5b).



VAV calibration is not required when the nominal system pressure is specified in the technical project of the ventilation system. In this case, you just need to enter the nominal pressure as described in step 2.

4. Change the air volume units to Pa.



5.2. C6/C6M automation

Function can be activated by selecting VAV flow control mode. It is necessary to enter pressure sensor range, that was set as stated in paragraph No. 4:

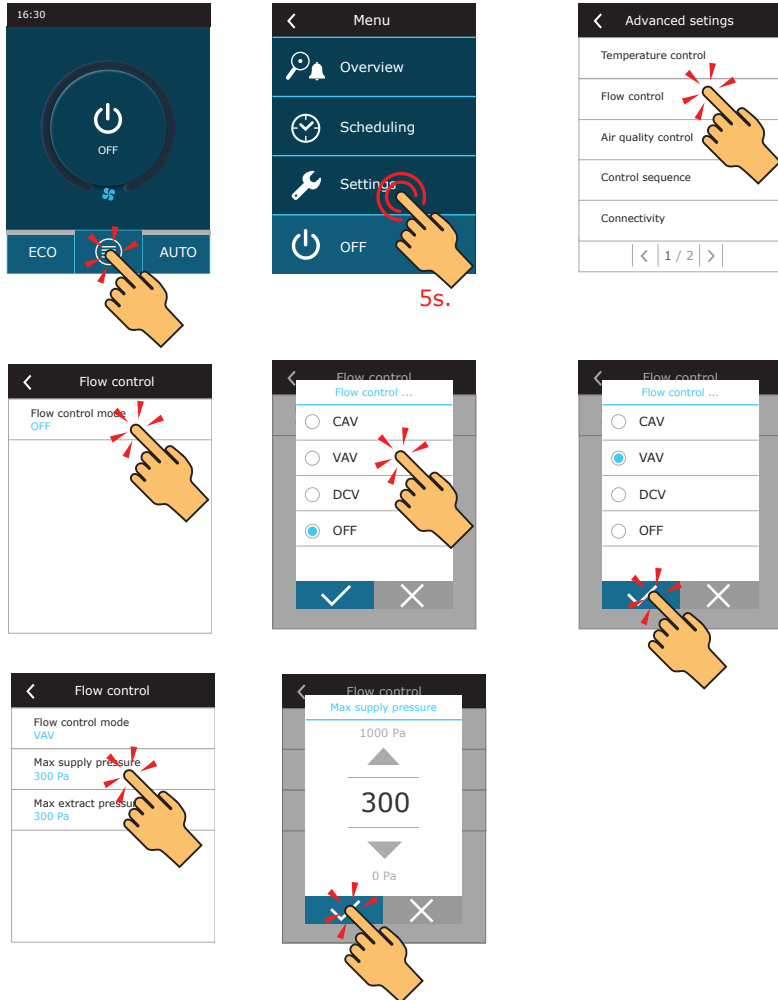


Fig. 5c. Activation and settings of VAV flow control mode in the C6.1 control panel

After activation of VAV function, in the settings of the operation mode, air measuring units automatically will change to Pa. AHU will run maintaining requested pressure in the duct, where pressure sensor is connected. In order to deactivate VAV function, select any other flow control mode (see figure 5c).

SERVICE AND SUPPORT

LITHUANIA

UAB KOMFOVENT

Phone: +370 5 200 8000
service@komfovent.com
www.komfovent.com

FINLAND

Komfovent Oy

Muuntotie 1 C1
FI-01 510 Vantaa, Finland
Phone: +358 20 730 6190
toimisto@komfovent.com
www.komfovent.com

GERMANY

Komfovent GmbH

Konrad-Zuse-Str. 2a,
42551 Velbert, Deutschland
Phone: +49 0 2051 6051180
info@komfovent.de
www.komfovent.de

LATVIA

SIA Komfovent

Bukaišu iela 1, LV-1004 Riga, Latvia
Phone: +371 24 66 4433
info.lv@komfovent.com
www.komfovent.com

Vidzemes filiāle

Alejas iela 12A, LV-4219 Valmiermuiža,
Valmieras pagasts, Burtnieku novads
Phone: +371 29 358 145
kristaps.zaicevs@komfovent.com
www.komfovent.com

SWEDEN

Komfovent AB

Ögärdesvägen 12A
433 30 Partille, Sverige
Phone: +46 31 487 752
info_se@komfovent.com
www.komfovent.se

UNITED KINGDOM

Komfovent Ltd

Unit C1 The Waterfront
Newburn Riverside
Newcastle upon Tyne NE15 8NZ, UK
Phone: +447983 299 165
steve.mulholland@komfovent.com
www.komfovent.com

PARTNERS

AT	J. PICHLER Gesellschaft m. b. H.	www.pichlerluft.at
BE	Ventilair group ACB Airconditioning	www.ventilairgroup.com www.acbairco.be
CZ	REKUVENT s.r.o.	www.rekuvent.cz
CH	WESCO AG SUDCLIMATAIR SA CLIMAIR GmbH	www.wesco.ch www.sudclimatair.ch www.climair.ch
DK	Øland A/S	www.oeland.dk
EE	BVT Partners	www.bvtpartners.ee
FR	ATIB	www.atib.fr
HR	Microclima	www.microclima.hr
HU	AIRVENT Légtechnikai Zrt. Gevent Magyarország Kft. Merkapt	www.airvent.hu www.gevent.hu www.merkapt.hu
IE	Lindab	www.lindab.ie
IR	Fantech Ventilation Ltd	www.fantech.ie
IS	Blikk & Tækniþjónustan ehf Hitataekni ehf	www.bogt.is www.hitataekni.is
IT	ICARIA	www.icaria.srl
NL	DECIPOLE-Vortvent	www.vortvent.nl
	Ventilution AS	www.ventilution.no
NO	Ventistål AS Thermo Control AS	www.ventistal.no www.thermocontrol.no
	Ventia Sp. z o.o.	www.ventia.pl
PL	Nordisk Ventilator AB Agregat	www.nordiskventilator.se
SE	d.o.o	www.agregat.si
SI	TZB produkt, s.r.o.	www.tzbprodukt.sk
SK	TD VECON LLC	www.vecon.ua
UA		

