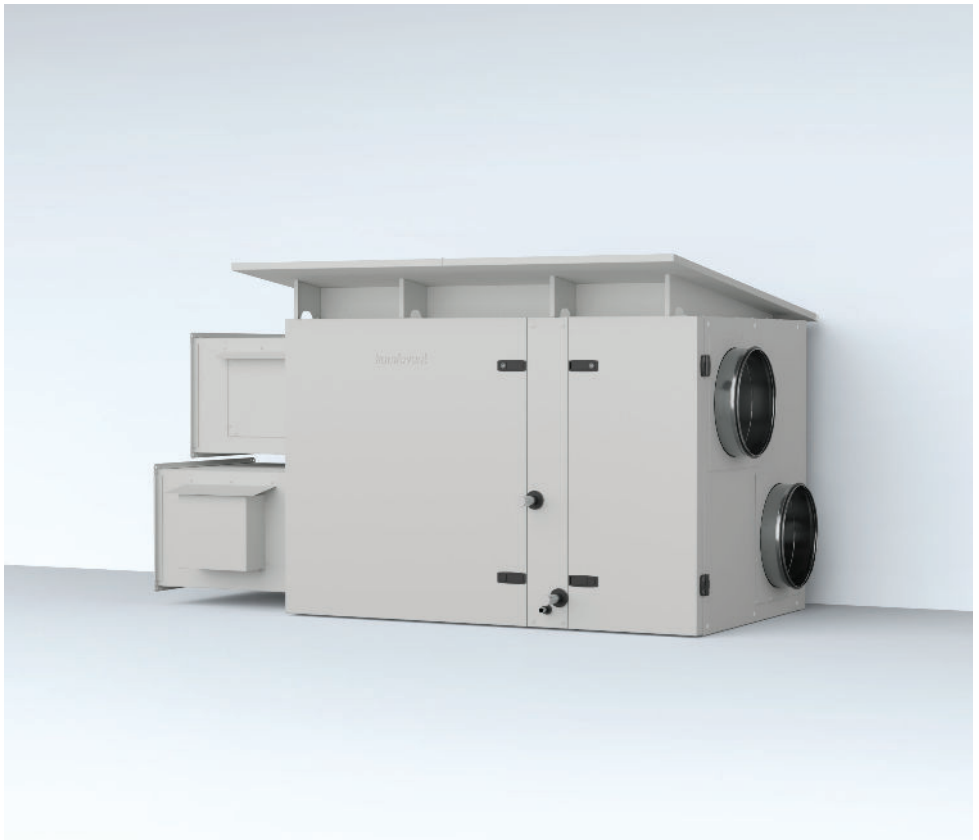


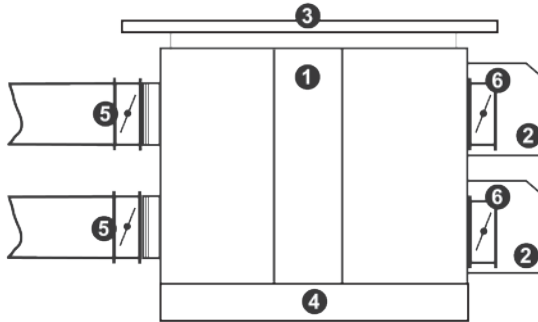
VERSO STANDARD RHP STANDARD

INSTALLATION INSTRUCTIONS
FOR OUTDOOR ACCESSORIES



VERSO STANDARD air handling units are not suitable to install in outdoor areas without additional modification.

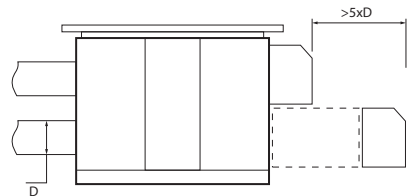
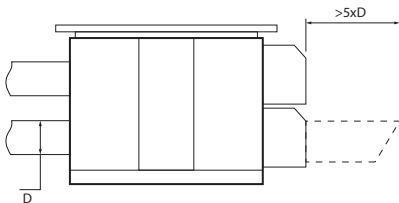
Units intended be installed outdoor, should be fixed to the base frame and air dampers must be installed on to the duct connections. AHU must be protected from the weather influence by installing dedicated roof and hoods. If possible, it is recommended to install the unit near the walls for the extra protection from the wind.



- 1 AHU
- 2 Hoods
- 3 Roof
- 4 Base frame
- 5 Air dampers on the room side (recomended)
- 6 Outdoor air closing dampers (mandatory)



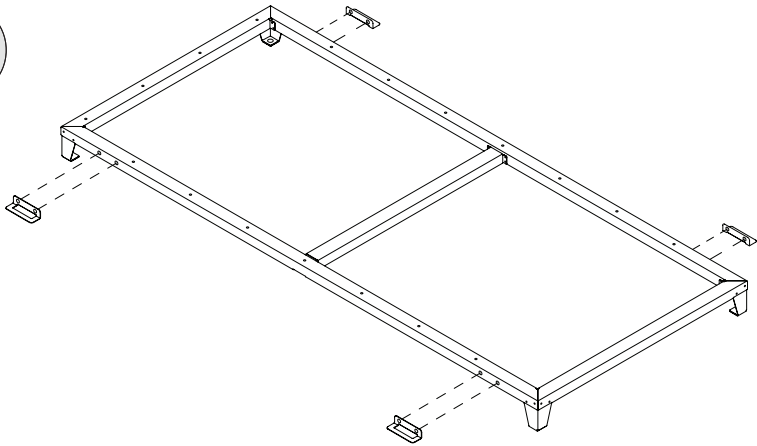
- Connections of outdoor units must be additionally sealed (the sealant is not included).
- If the outdoor unit will be switched off during the cold season, supply and extract air ducts (on the indoor side) must be fitted with additional air shut-off dampers. They should prevent warm indoor air from circulating inside the unit when it is stopped to avoid condensation, which may be detrimental to electronic components.



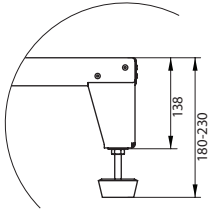
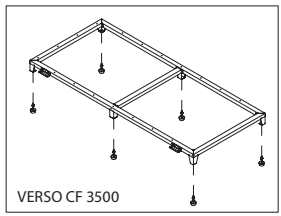
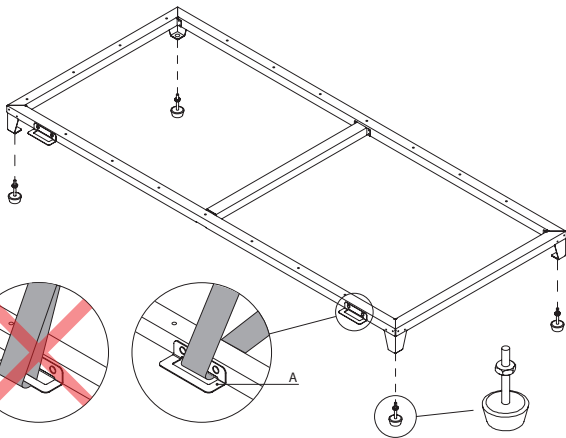
Air intake and outlet hoods must be installed as far apart as possible (for example by installing additional duct segments between AHU and hood), to prevent the exhaust air from returning to the air intakes.

MOUNTING OF THE BASE FRAME

1

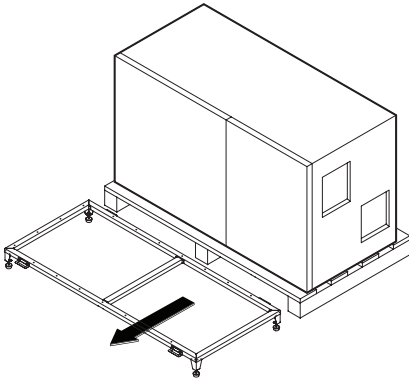


2

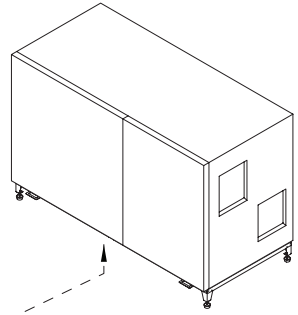


Ordered separately

3



4

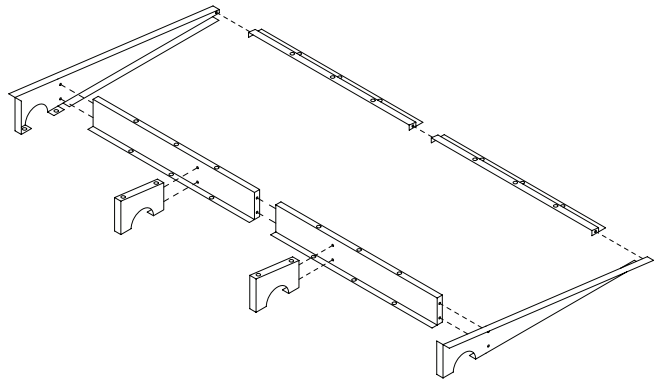


It is prohibited to attach lifting equipment to the eyelets A on the mounting frame. They are only intended to prevent the lifting straps from slipping to the sides.

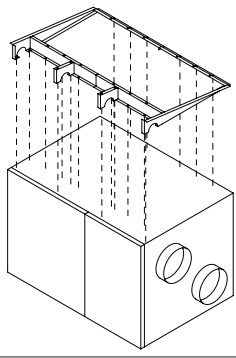
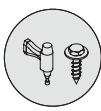
MOUNTING OF THE ROOFS

Verso R 1000 - R 1300 - R 1500

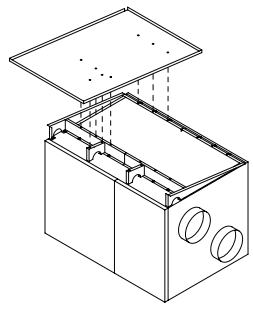
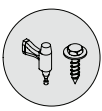
1



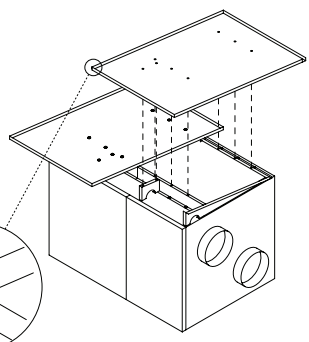
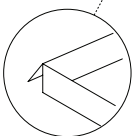
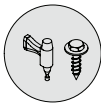
2



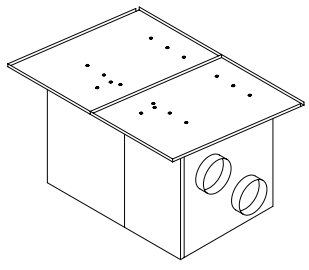
3



4

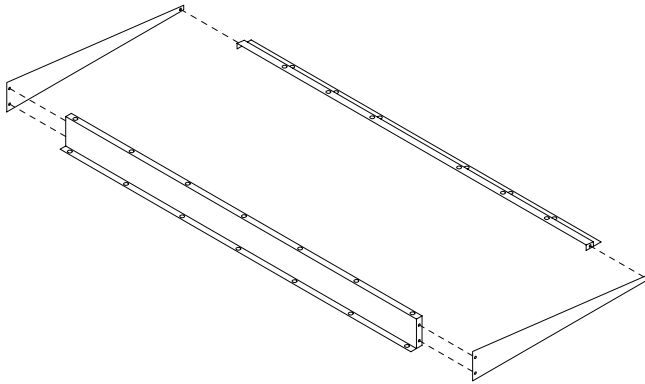


5

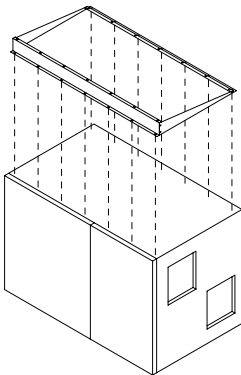
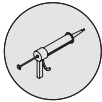


VERSO R 1700 - R 2000

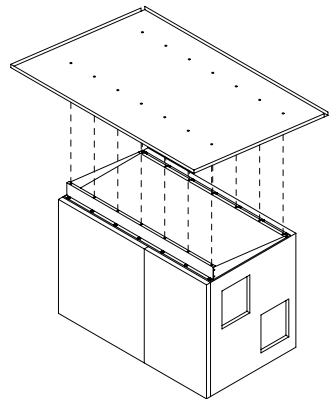
1



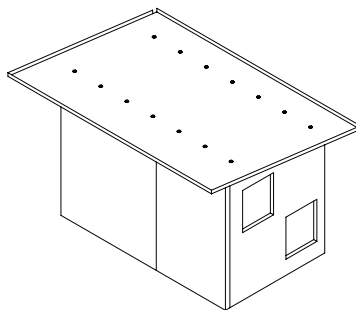
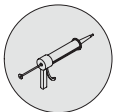
2

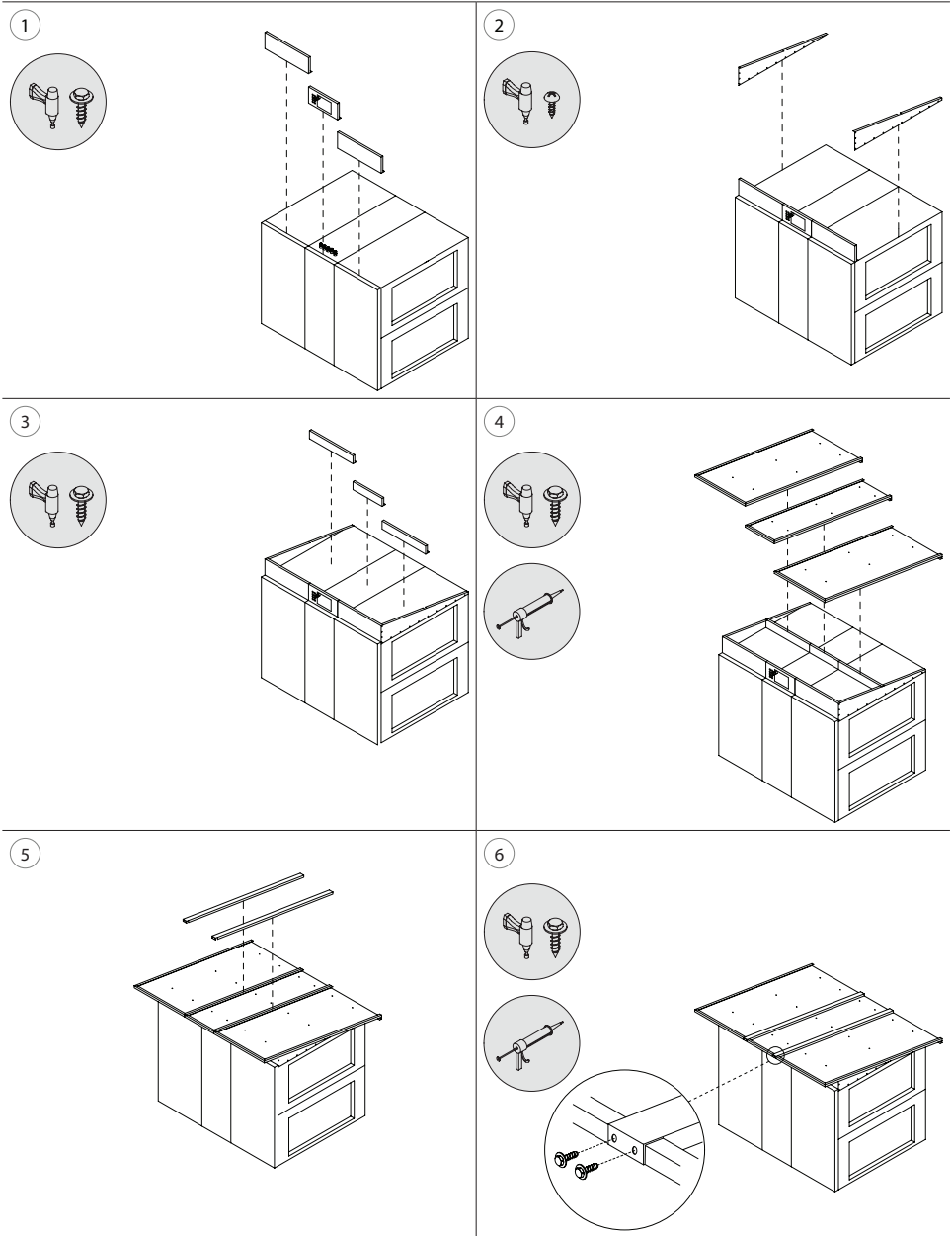


3

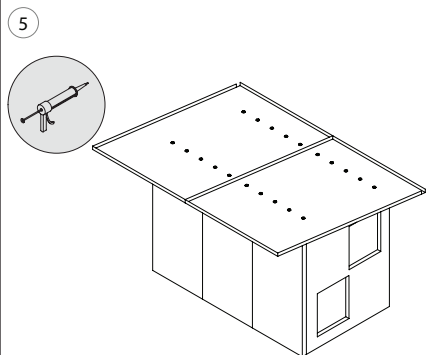
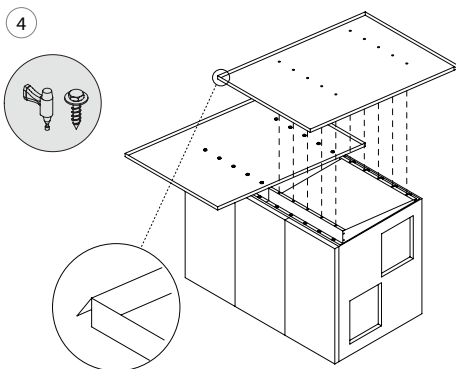
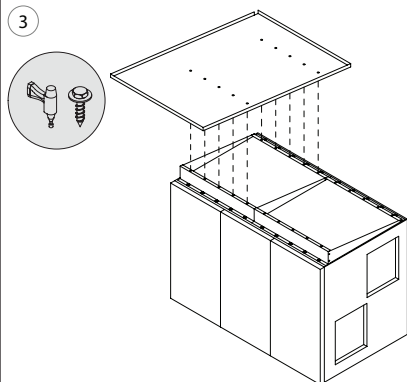
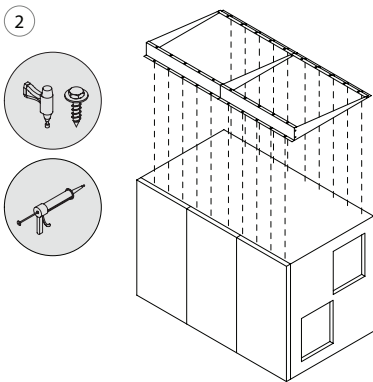
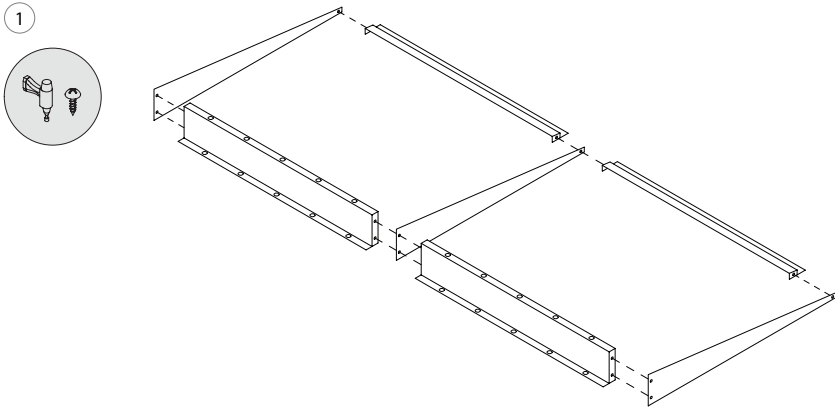


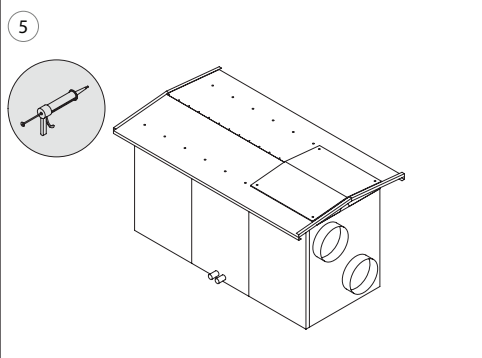
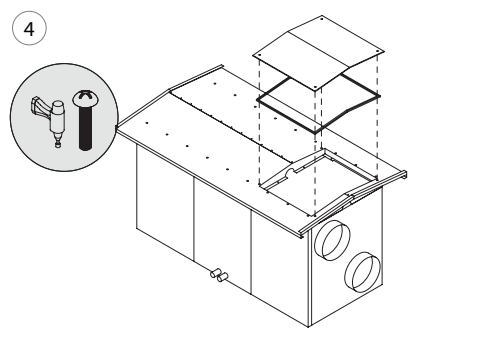
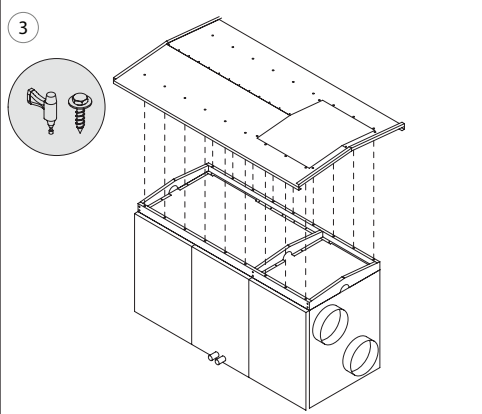
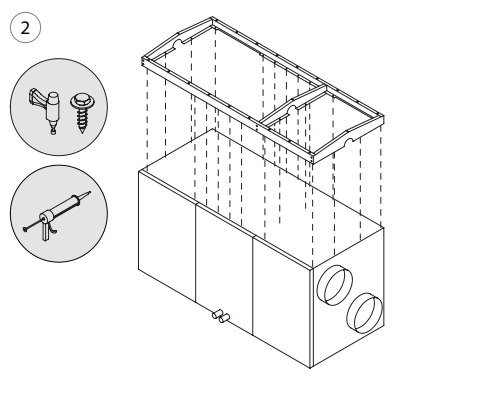
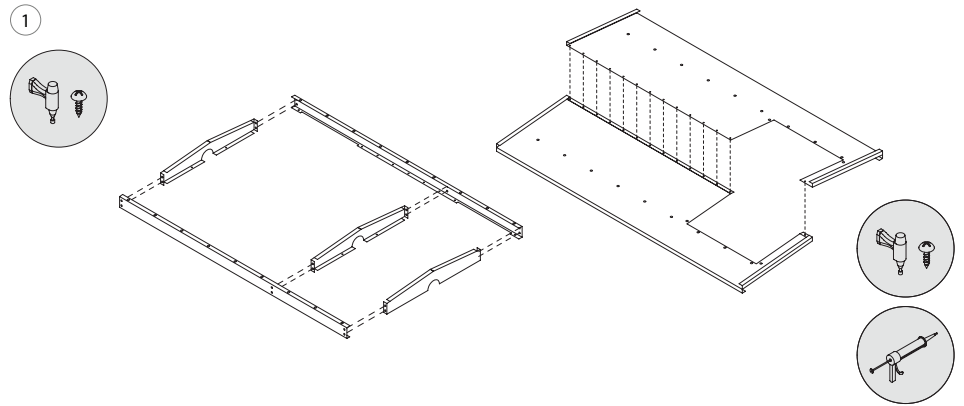
4



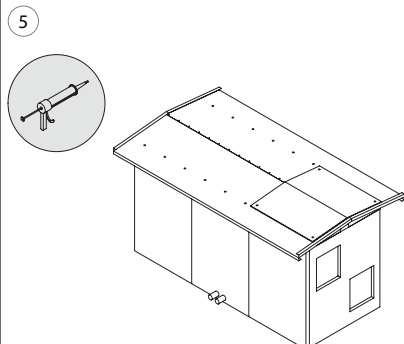
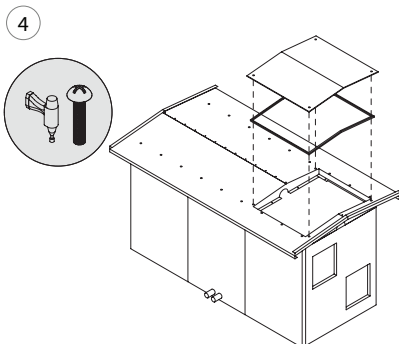
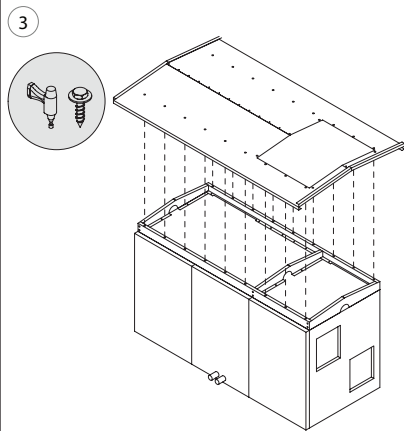
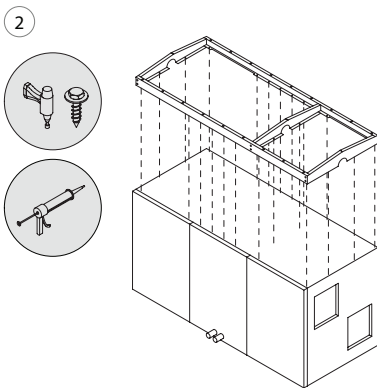
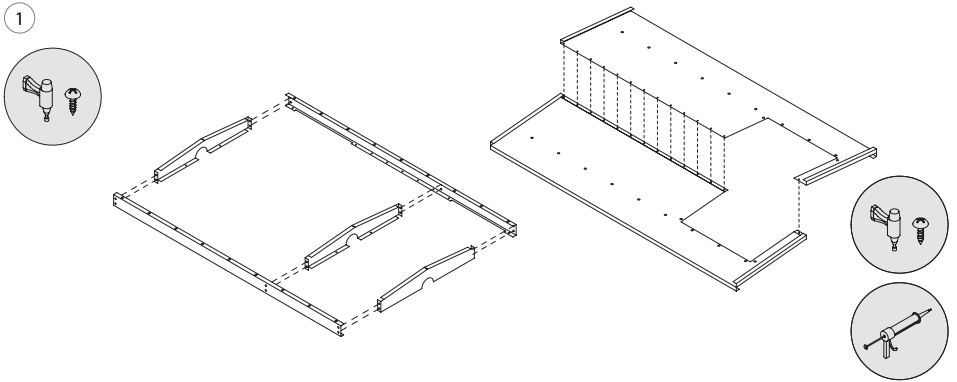


Verso R 3000 - R 4000

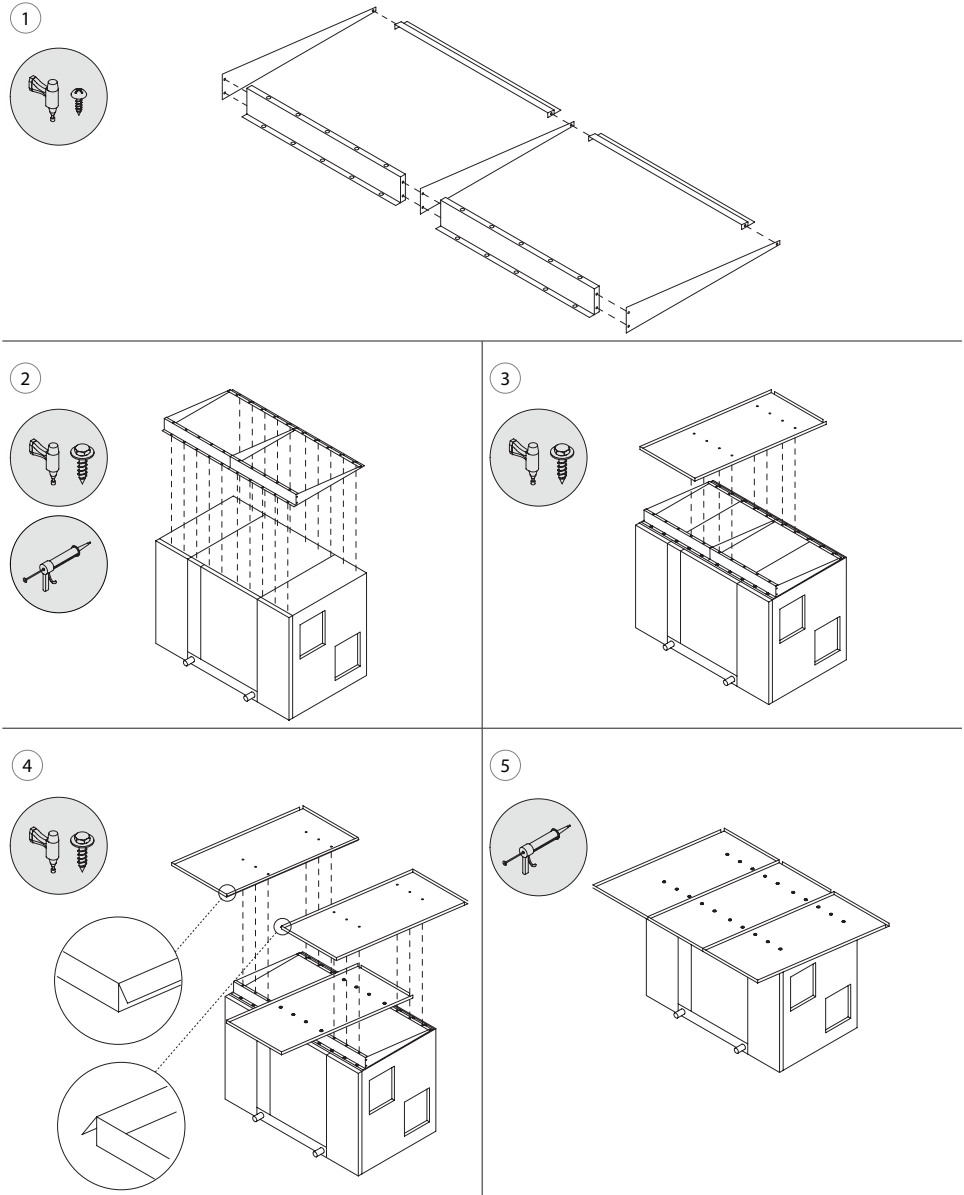




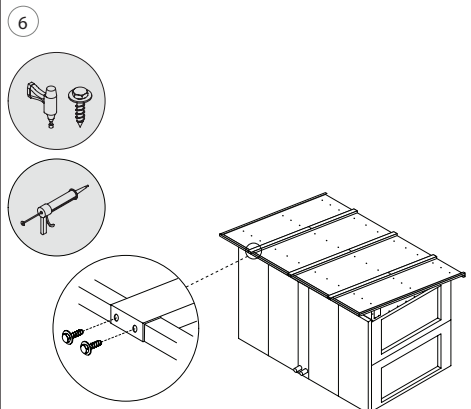
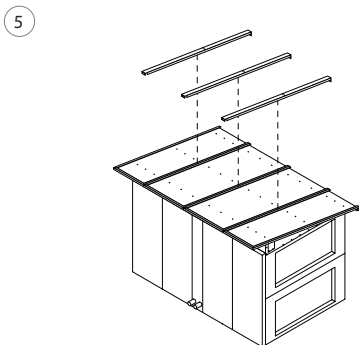
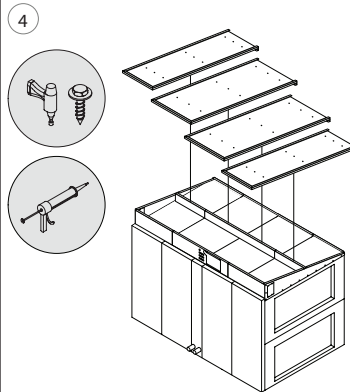
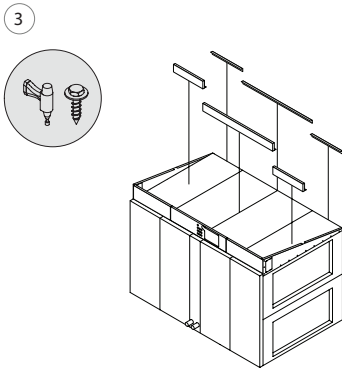
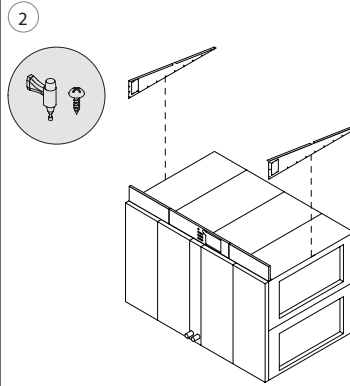
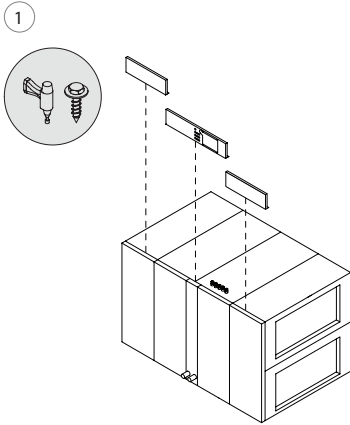
Verso CF 2300



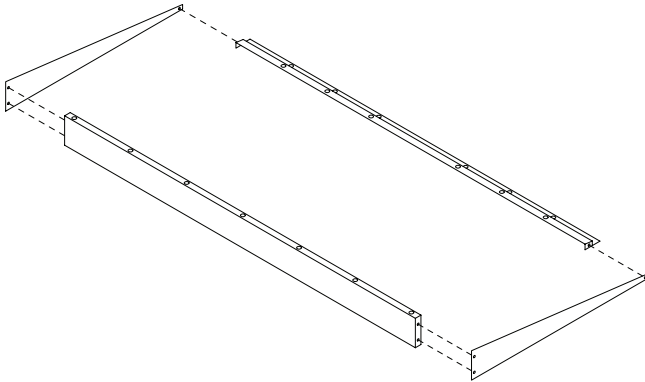
Verso CF 3500



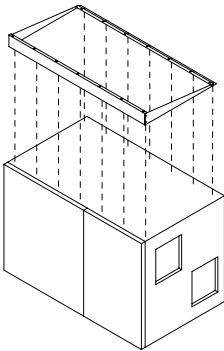
Verso CF 5000



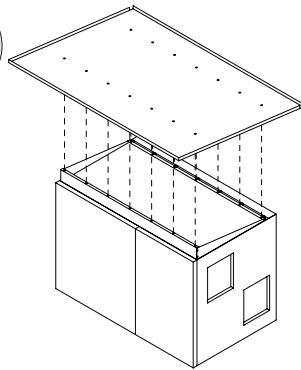
1



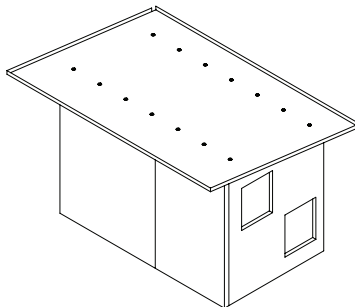
2



3

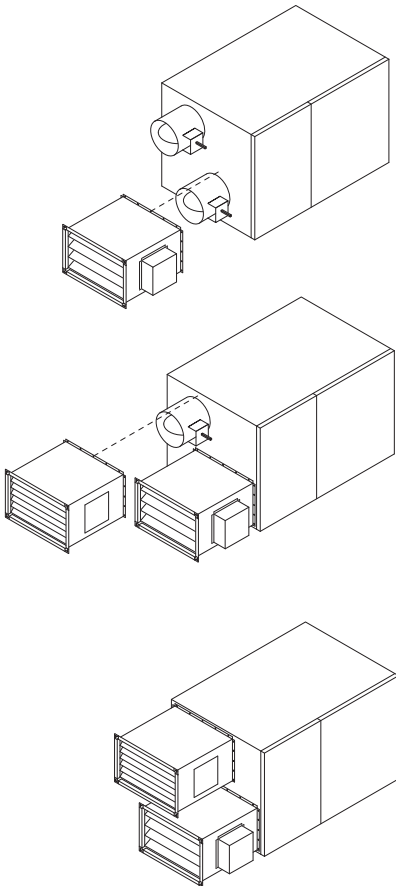
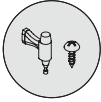


4

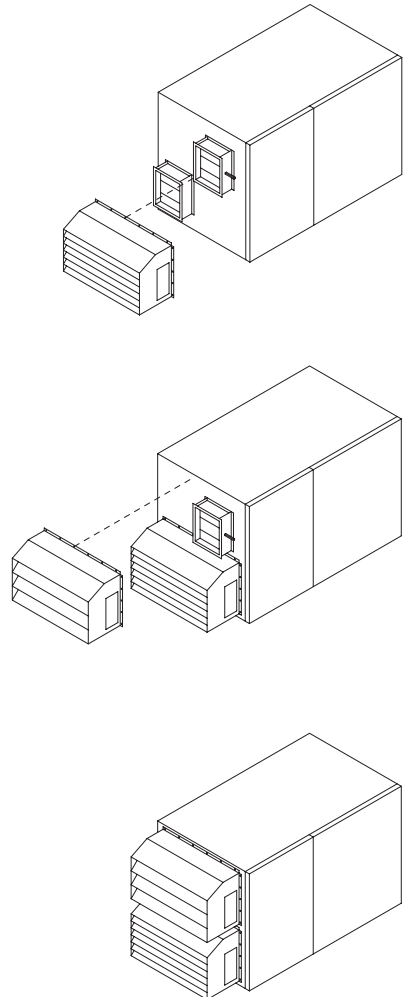
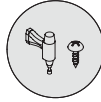


MOUNTING OF THE HOODS

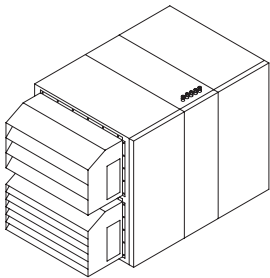
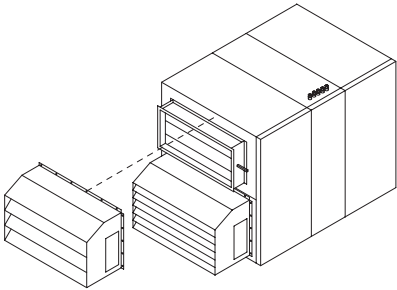
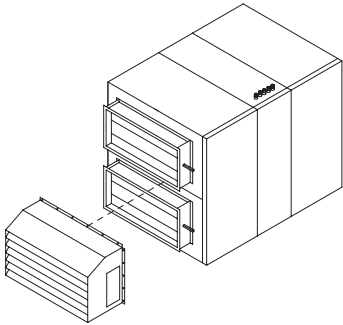
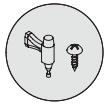
Verso R 1000 - R 1300 - R 1500
 Verso CF 1000 - CF 1300 - CF 1700
 RHP 800 - 1200 - 1600



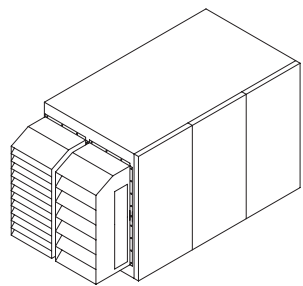
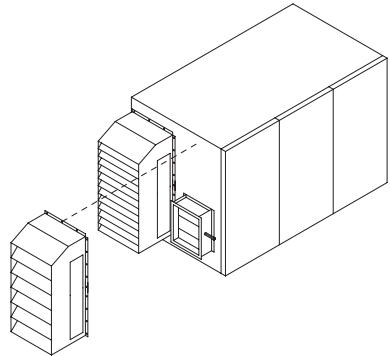
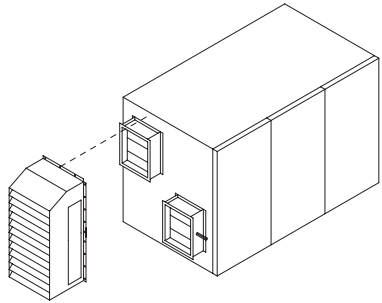
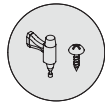
Verso R 1700 - R 2000



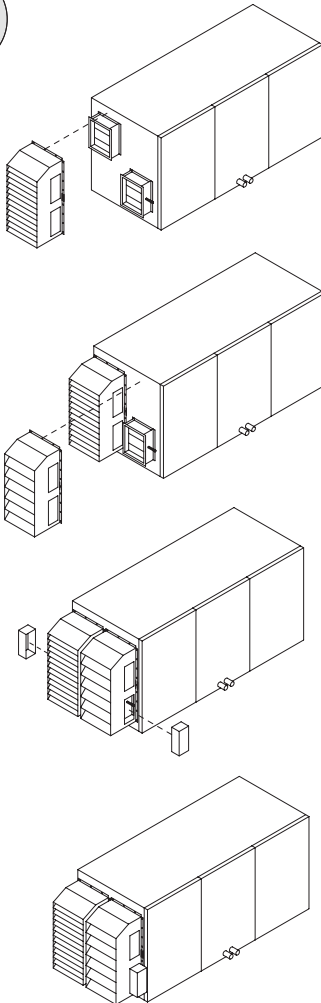
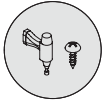
Verso R 2500 - R 5000 - R 7000



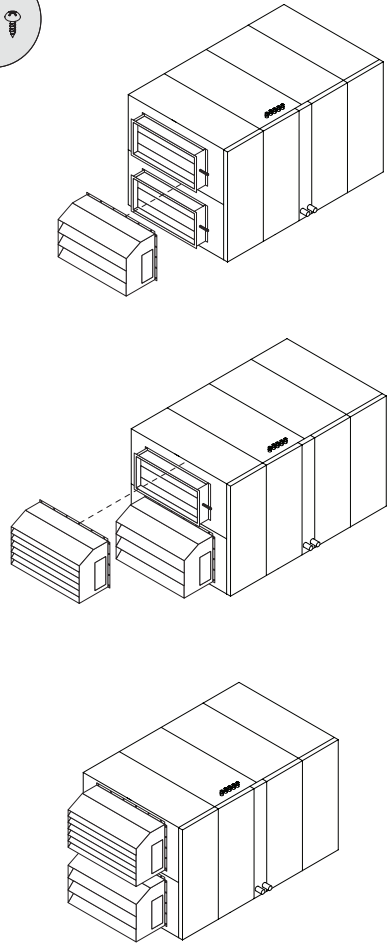
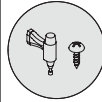
Verso R 3000 - R 4000
Verso CF 3500



Verso CF 2300



Verso CF 5000



SERVICE AND SUPPORT

LITHUANIA

UAB KOMFOVENT

Phone: +370 5 200 8000
service@komfovent.com
www.komfovent.com

FINLAND

Komfovent Oy

Muuntotie 1 C1
FI-01 510 Vantaa, Finland
Phone: +358 20 730 6190
toimisto@komfovent.com
www.komfovent.com

GERMANY

Komfovent GmbH

Konrad-Zuse-Str. 2a,
42551 Velbert, Deutschland
Phone: +49 0 2051 6051180
info@komfovent.de
www.komfovent.de

LATVIA

SIA Komfovent

Bukaišu iela 1, LV-1004 Riga, Latvia
Phone: +371 24 66 4433
info.lv@komfovent.com
www.komfovent.com

SWEDEN

Komfovent AB

Ögärdesvägen 12A
433 30 Partille, Sverige
Phone: +46 31 487 752
info_se@komfovent.com
www.komfovent.se

UNITED KINGDOM

Komfovent Ltd

Unit C1 The Waterfront
Newburn Riverside
Newcastle upon Tyne NE15 8NZ, UK
Phone: +447983 299 165
steve.mulholland@komfovent.com
www.komfovent.com

PARTNERS

AT	J. PICHLER Gesellschaft m. b. H.	www.pichlerluft.at
BE	Ventilair group ACB Airconditioning	www.ventilairgroup.com www.acbairco.be
CZ	REKUVENT s.r.o.	www.rekuvent.cz
CH	WESCO AG SUDCLIMATAIR SA CLIMAIR GmbH	www.wesco.ch www.sudclimatair.ch www.climair.ch
DK	Øland A/S	www.oeland.dk
EE	BVT Partners	www.bvtpartners.ee
FR	ATIB	www.atib.fr
HR	Microclima	www.microclima.hr
HU	AIRVENT Légtechnikai Zrt. Gevent Magyarorszáig Kft. Merkapt	www.airvent.hu www.gevent.hu www.merkapt.hu
IE	Lindab	www.lindab.ie
IR	Fantech Ventilation Ltd	www.fantech.ie
IS	Blikk & Tækniþjónustan ehf Hitataekni ehf	www.bogt.is www.hitataekni.is
IT	ICARIA	www.icaria.srl
NL	DECIPOL-Vortvent	www.vortvent.nl
NO	Ventilution AS Ventistål AS Thermo Control AS	www.ventilution.no www.ventistal.no www.thermocontrol.no
PL	Ventia Sp. z o.o.	www.ventia.pl
SE	Nordisk Ventilator AB Agregat	www.nordiskventilator.se
SI	d.o.o	www.agregat.si
SK	TZB produkt, s.r.o.	www.tzbprodukt.sk
UA	TD VECON LLC	www.vecon.ua



Builtordjiss 03, 3356 LX Papendrecht
Tel: +31(0)85 752 64 00
E-mail: info@vortvent.nl